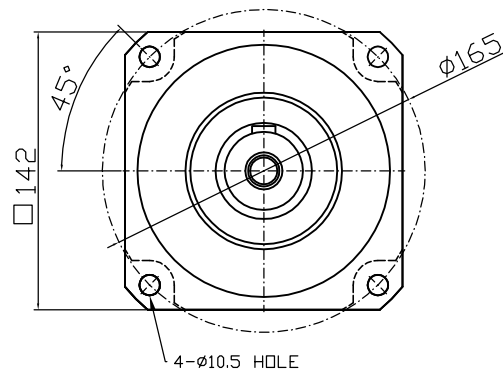
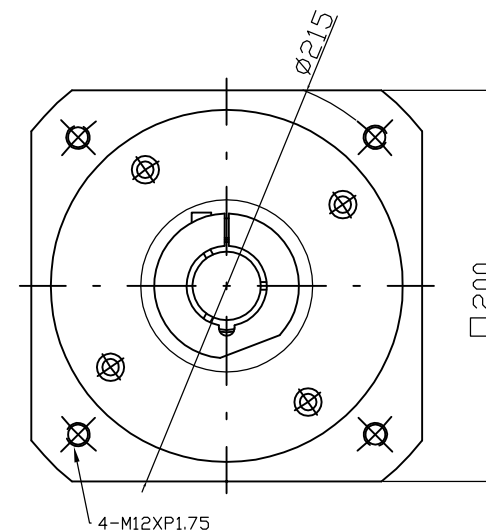
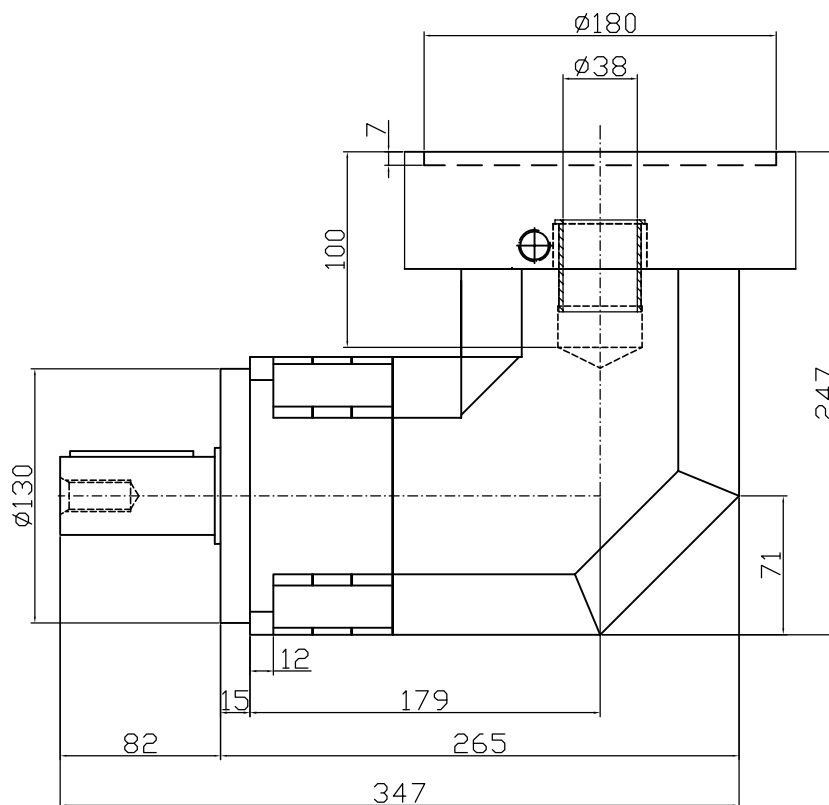


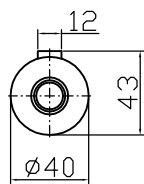
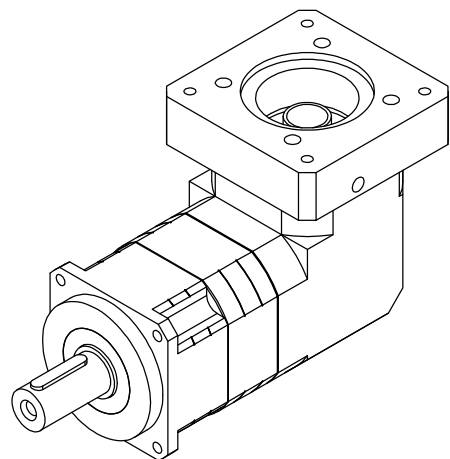
Output shaft



4- $\phi$ 10.5 HOLE



4-M12XP1.75



Output shaft

