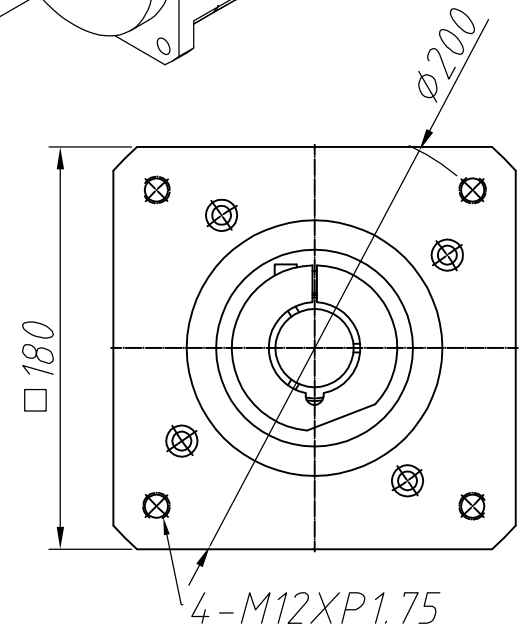
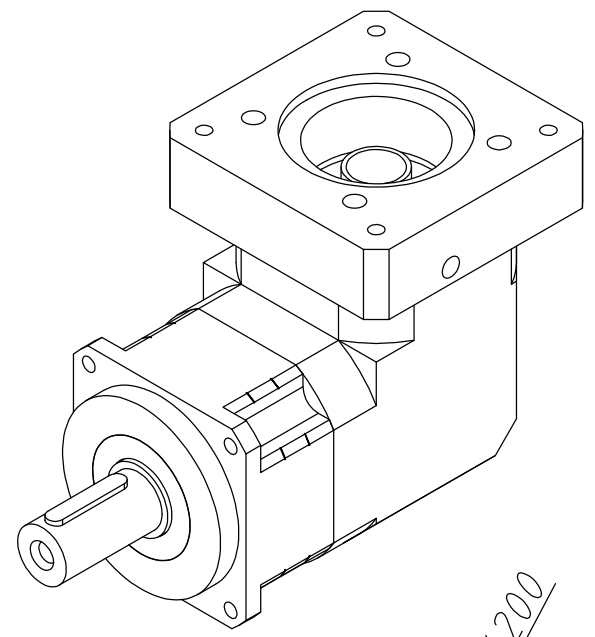
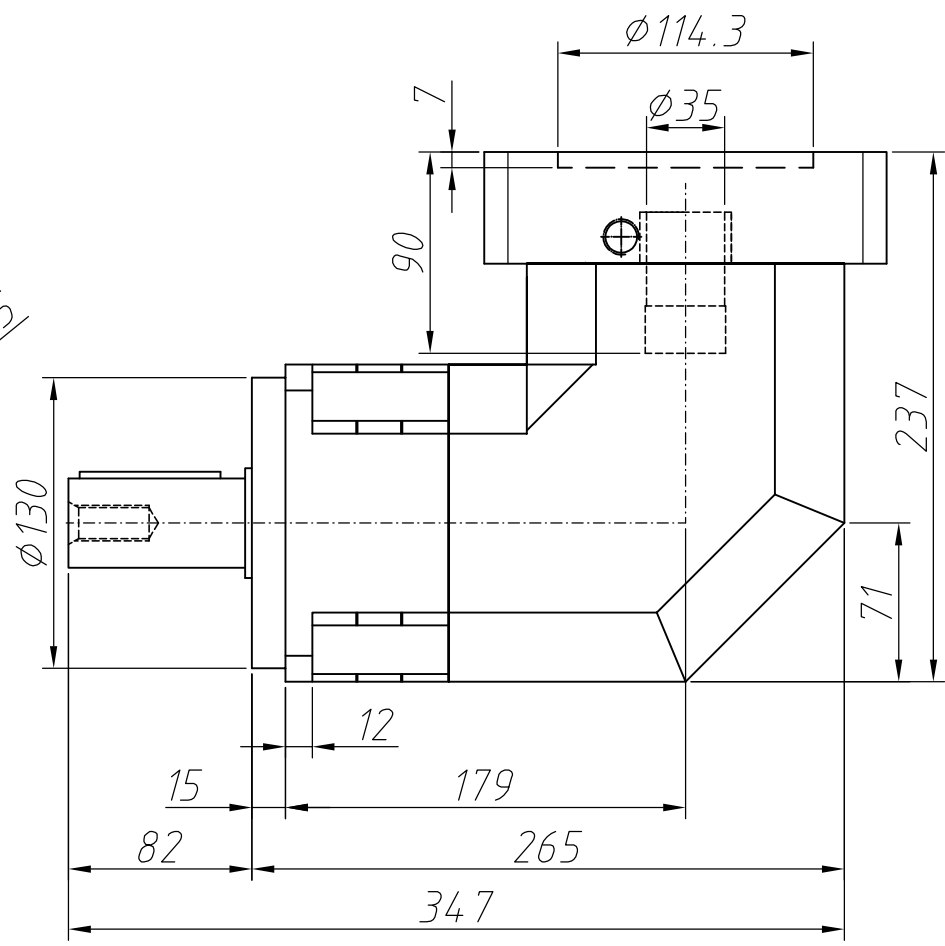
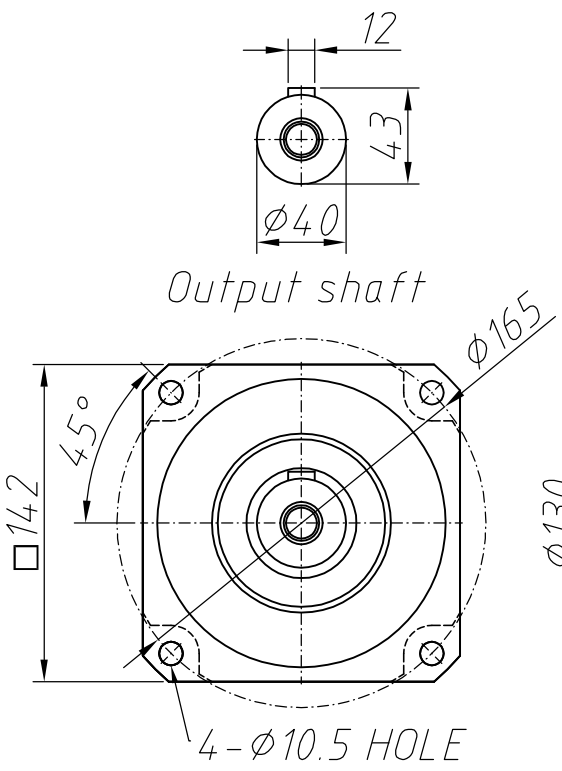
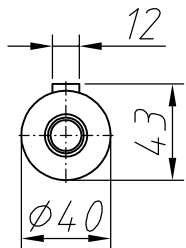
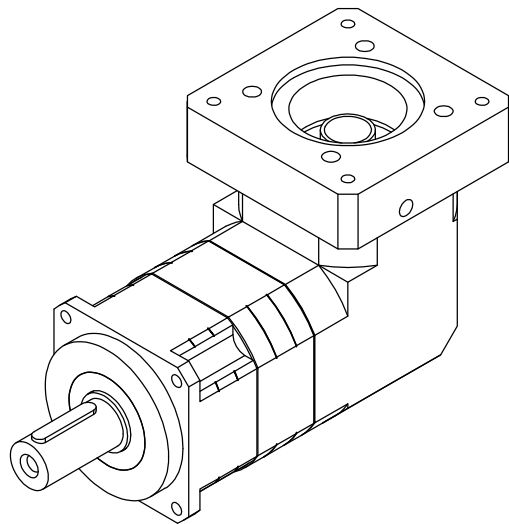


A  
B  
C  
D  
E





Output shaft

