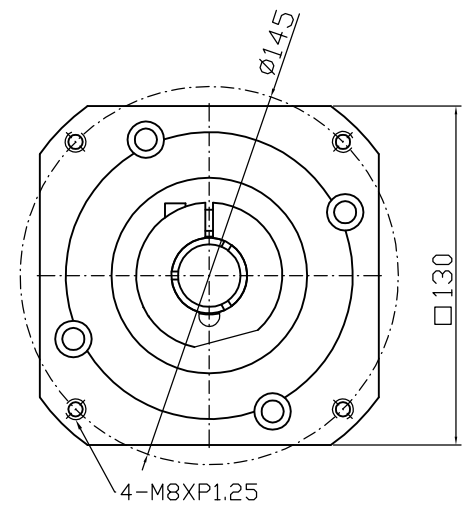
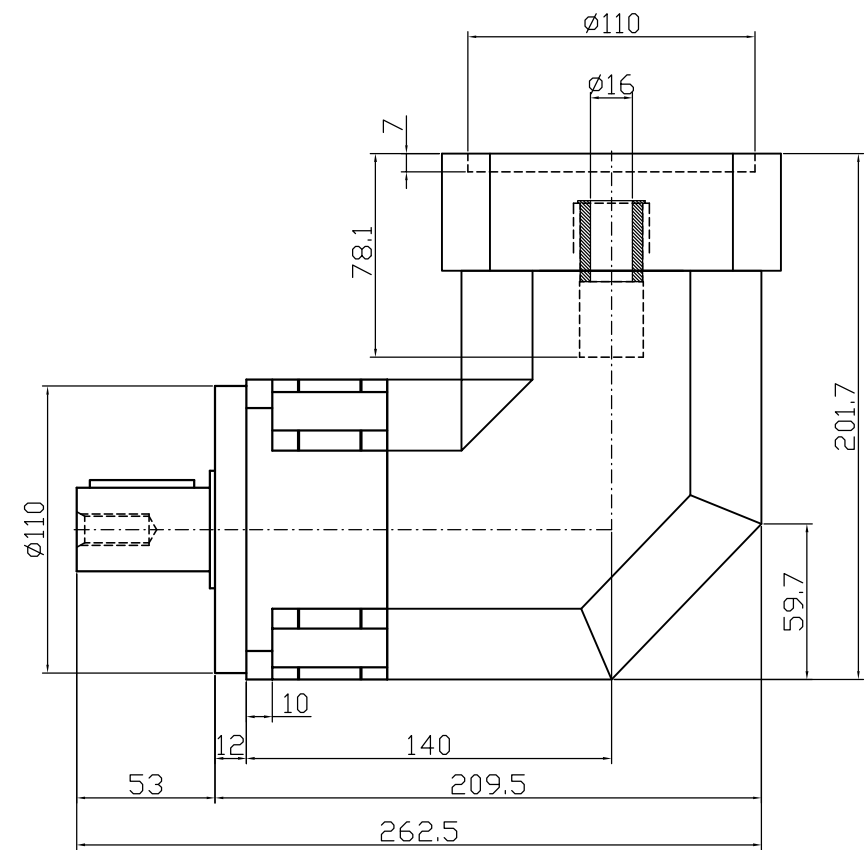
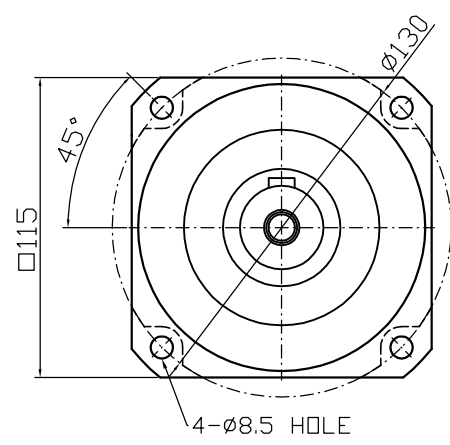
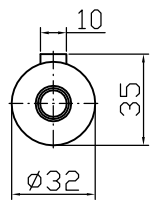


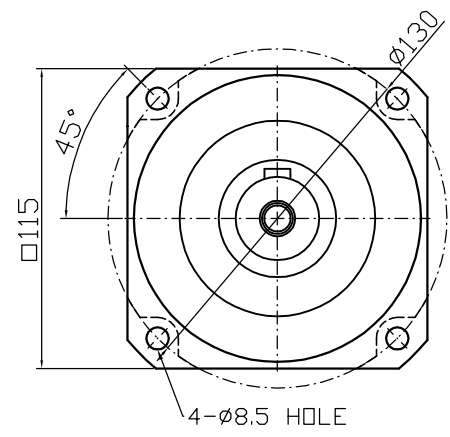
Output shaft



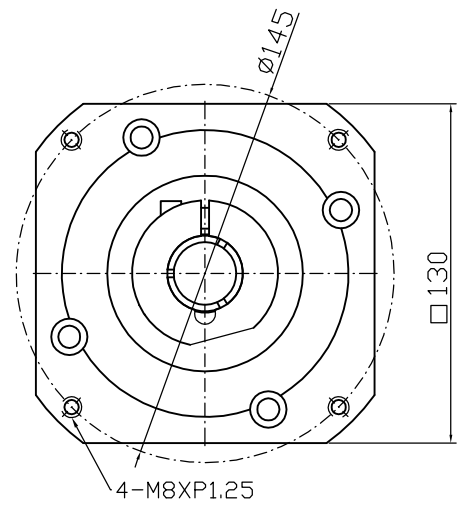
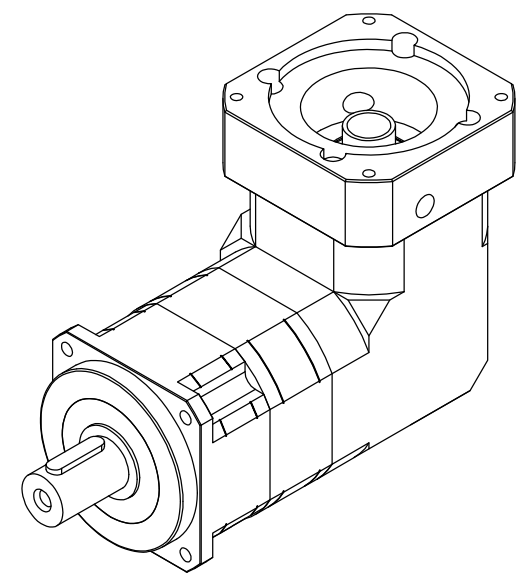
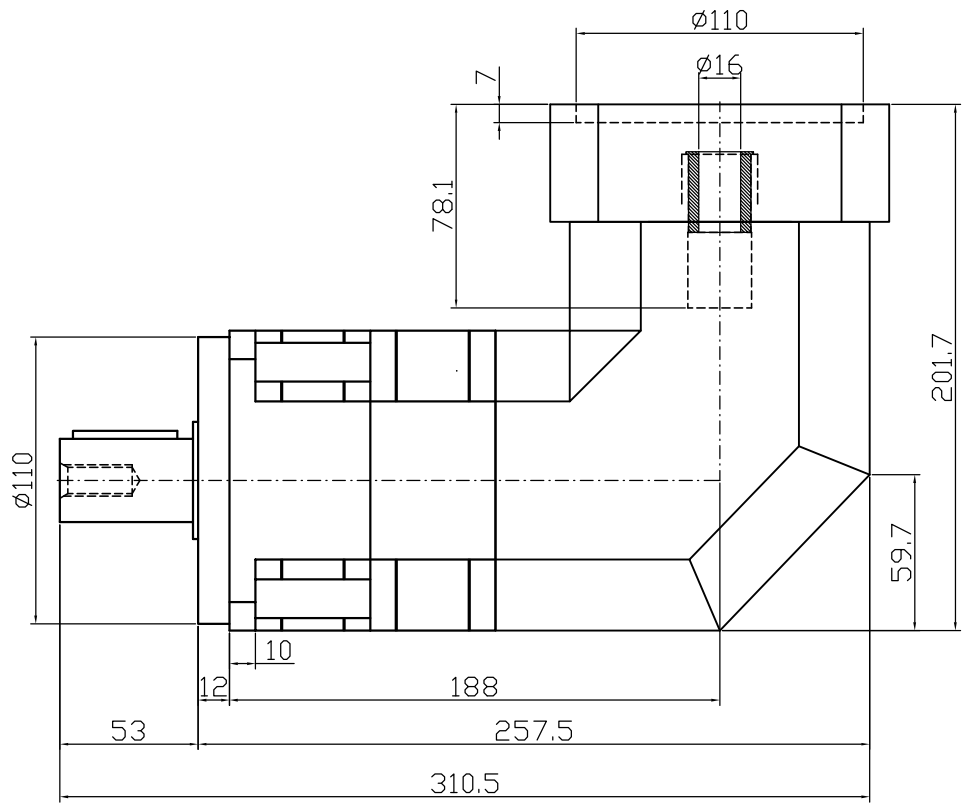
A
B
C
D
E



Output shaft



4- ϕ 8.5 HOLE



4-M8XP1.25

