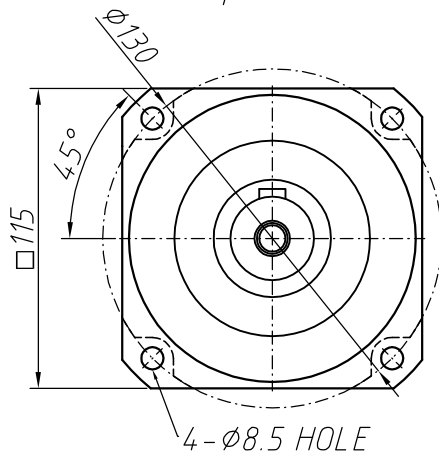
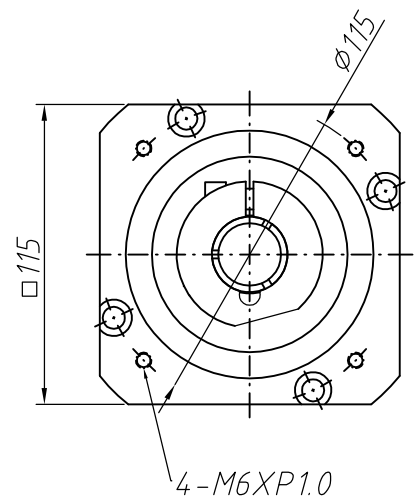
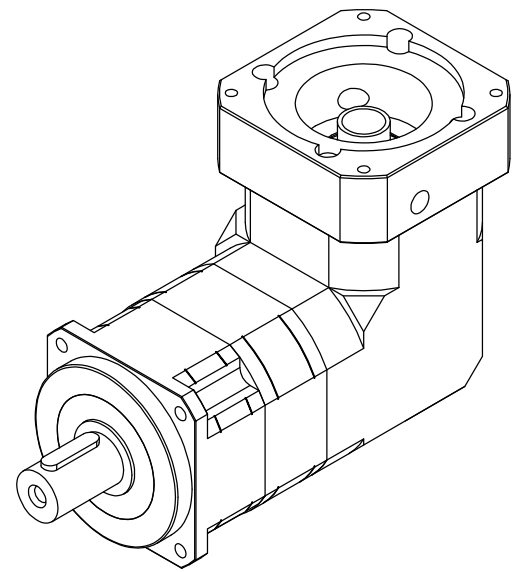
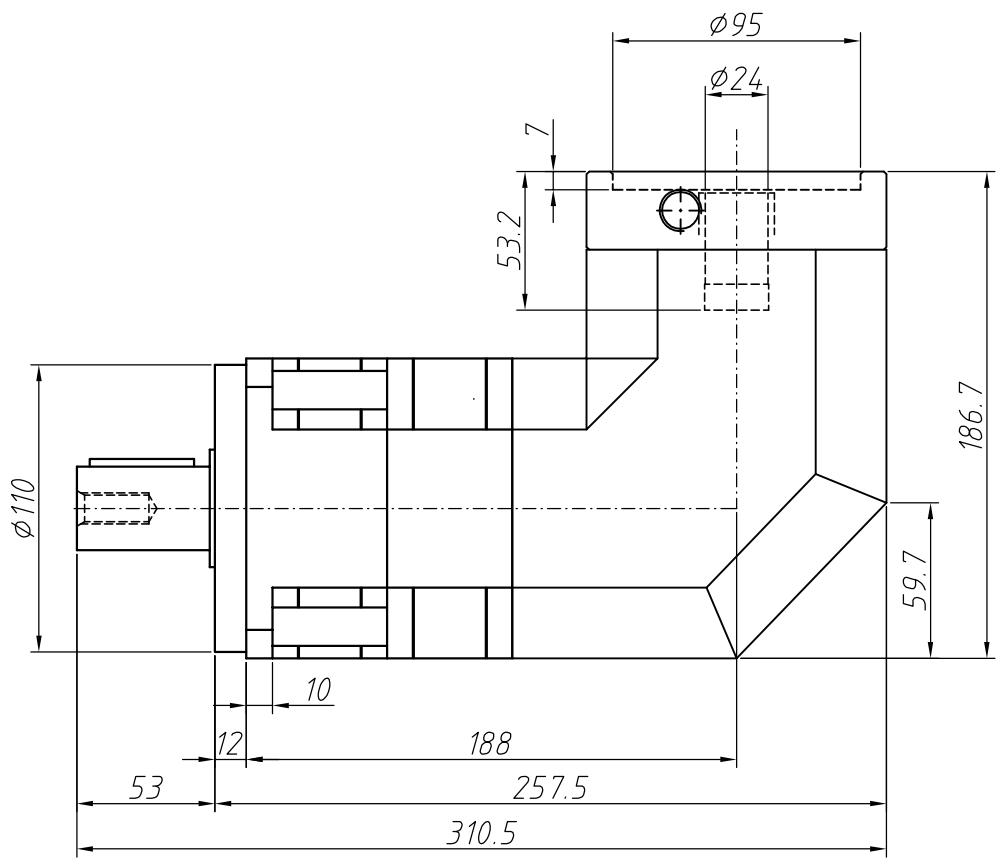


Output shaft



4- ϕ 8.5 HOLE



4-M6XP1.0