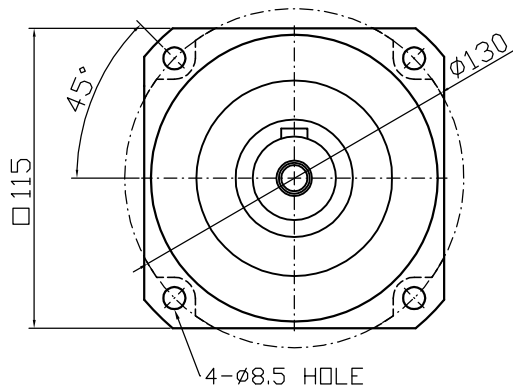
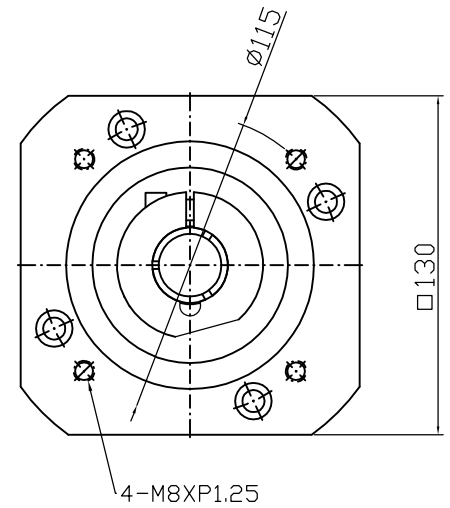
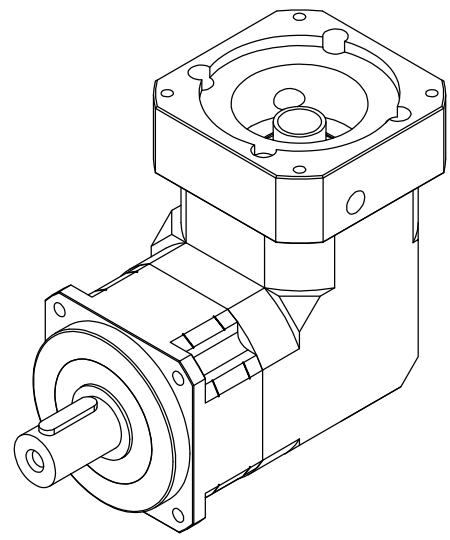
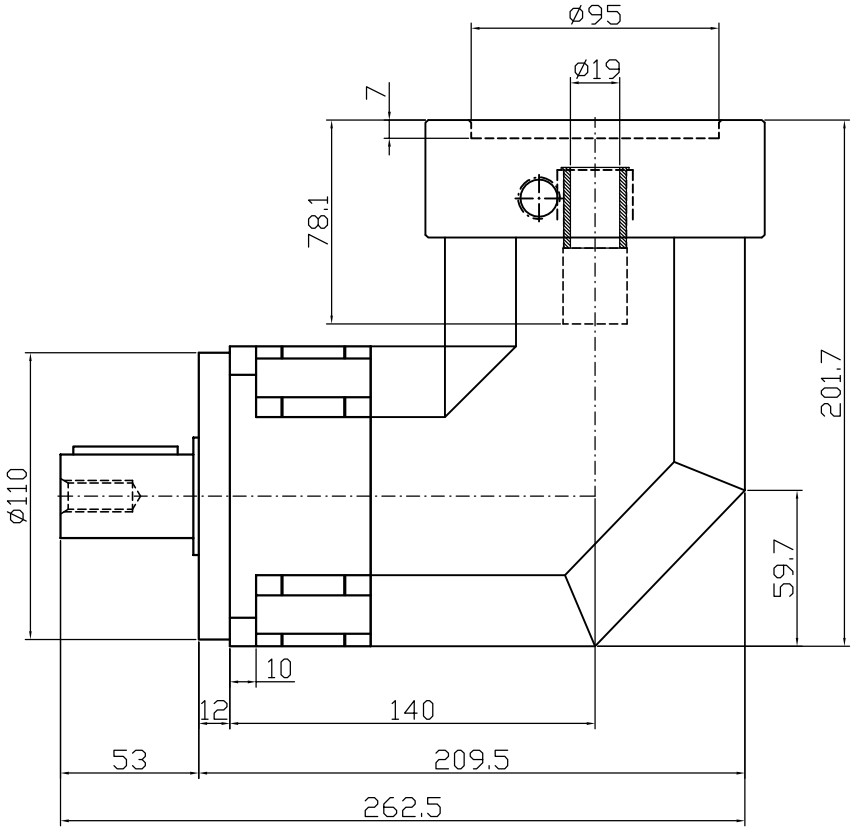


Output shaft



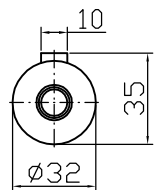
4- ϕ 8.5 HOLE



4-M8XP1.25

A
B
C
D
E

A
B
C
D
E



Output shaft

