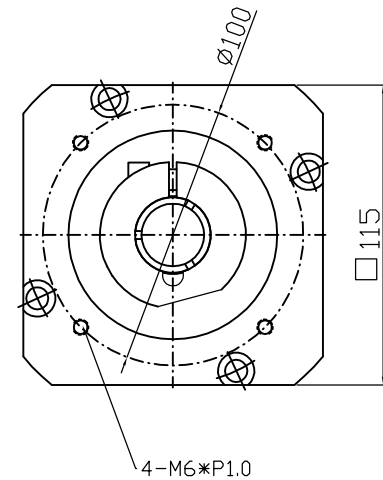
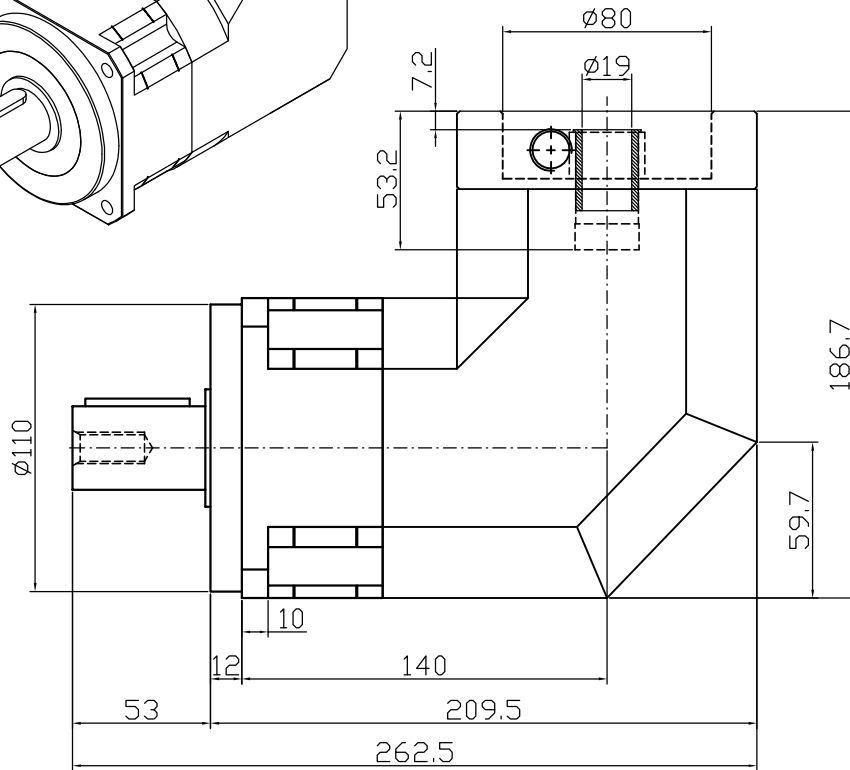
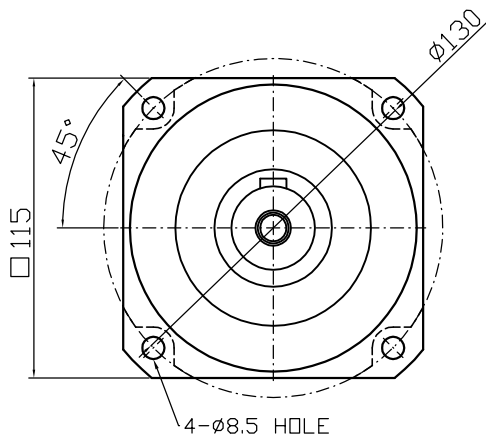
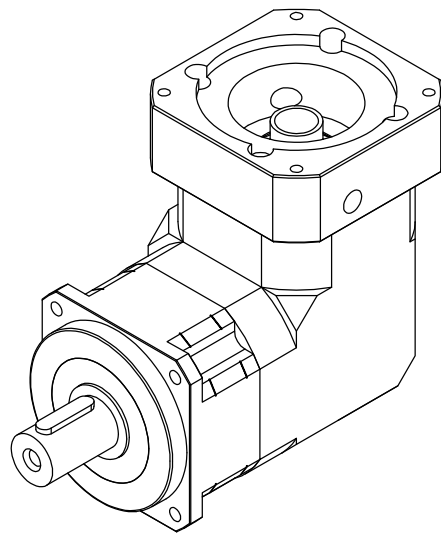
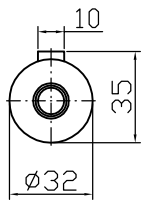


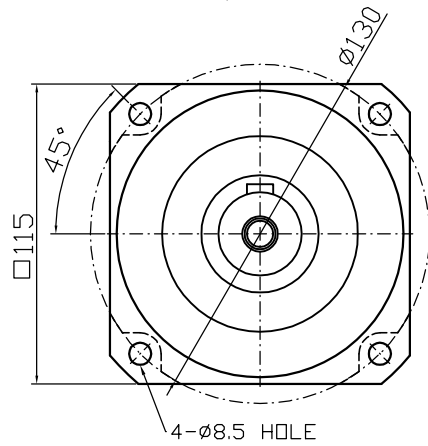
Output shaft



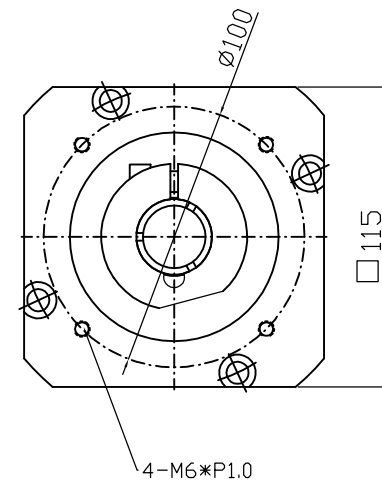
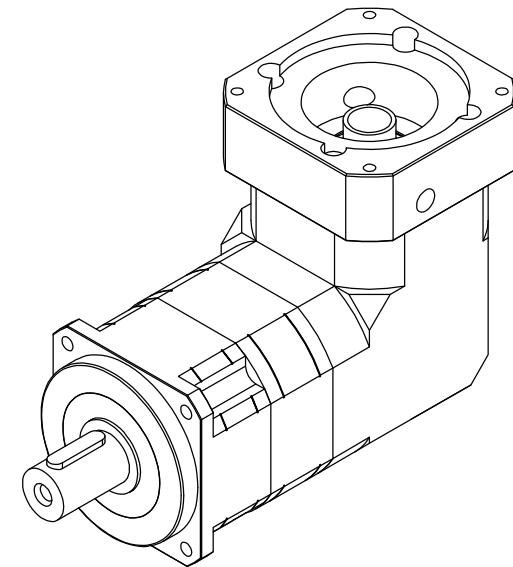
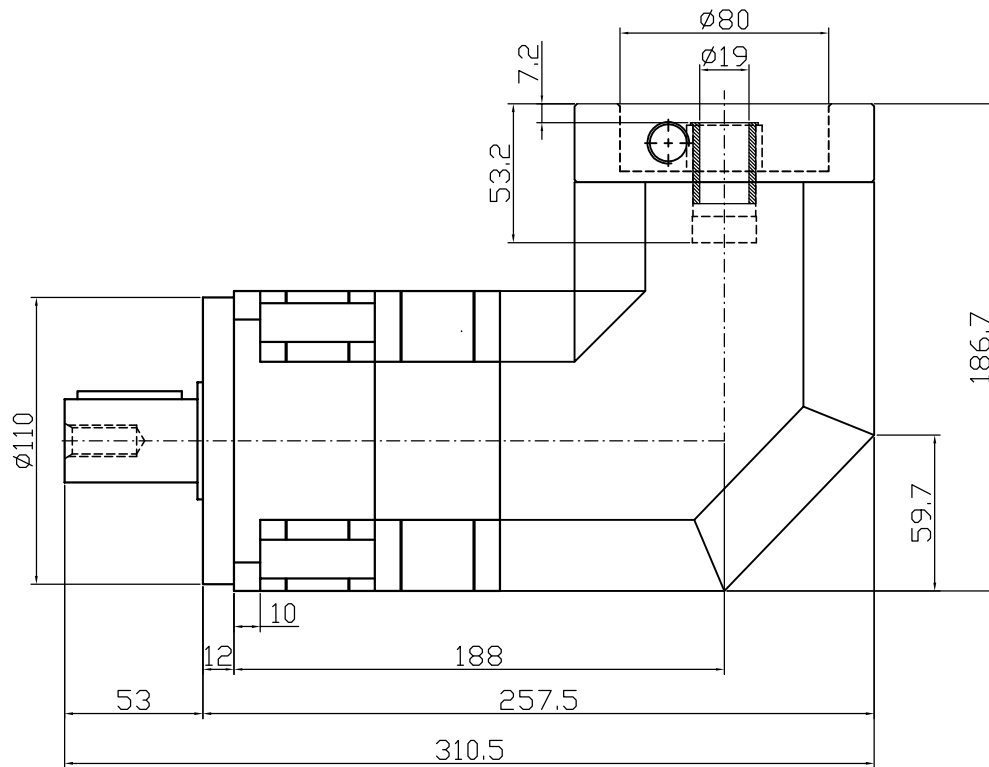
A  
B  
C  
D  
E



Output shaft



4- $\varnothing$ 8.5 HOLE



4-M6\*P1.0