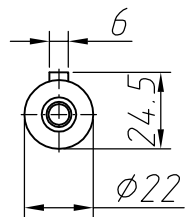
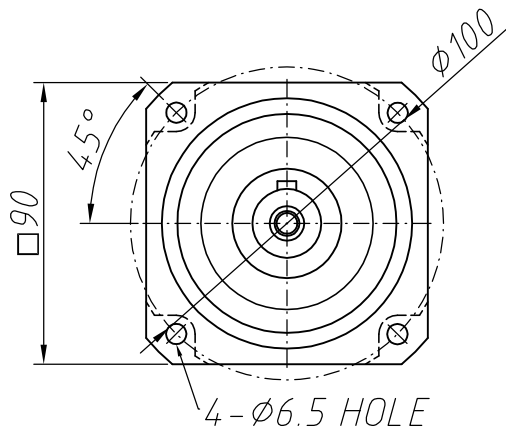


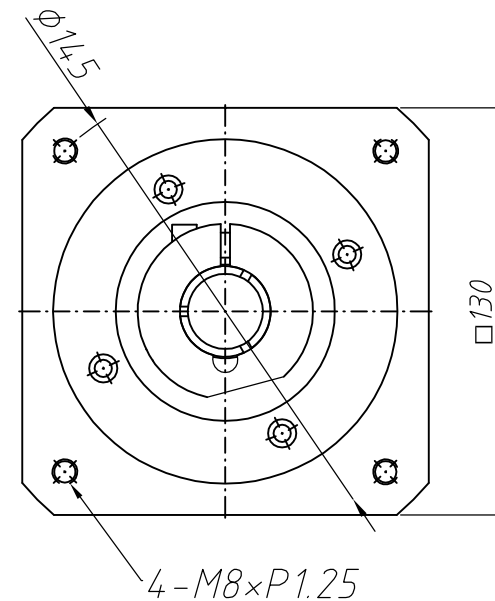
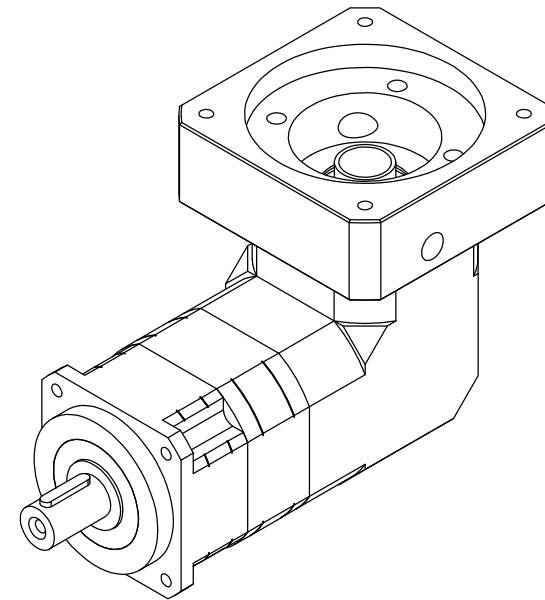
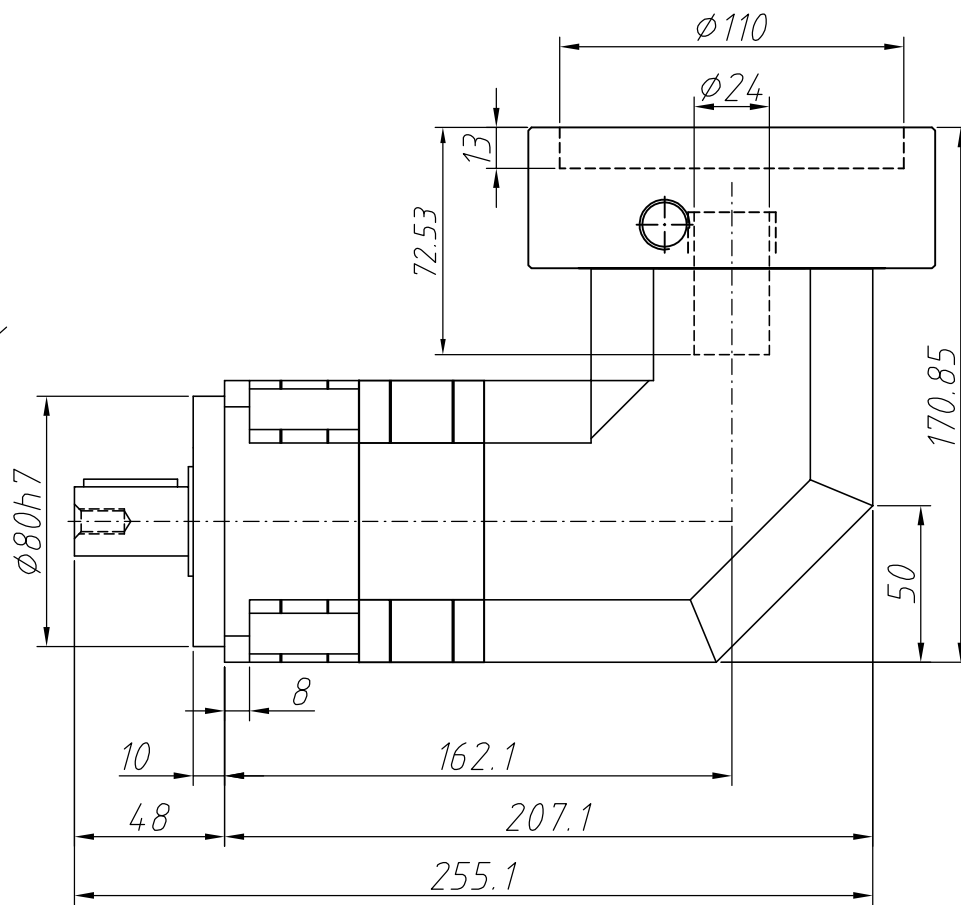
A
B
C
D
E



Output shaft



4- $\phi 6.5$ HOLE



4-M8xP1.25

1 2 3 4 5 6 7 8