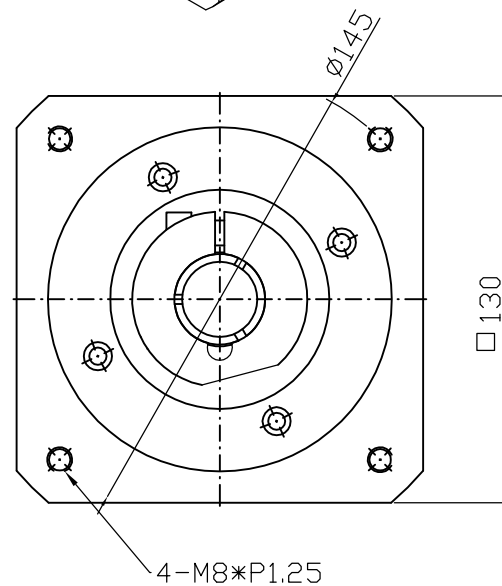
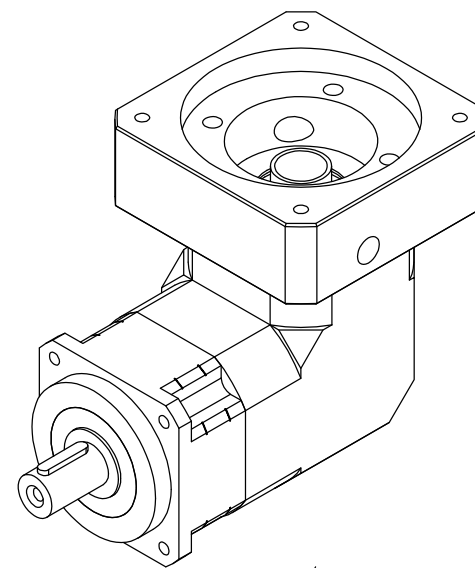
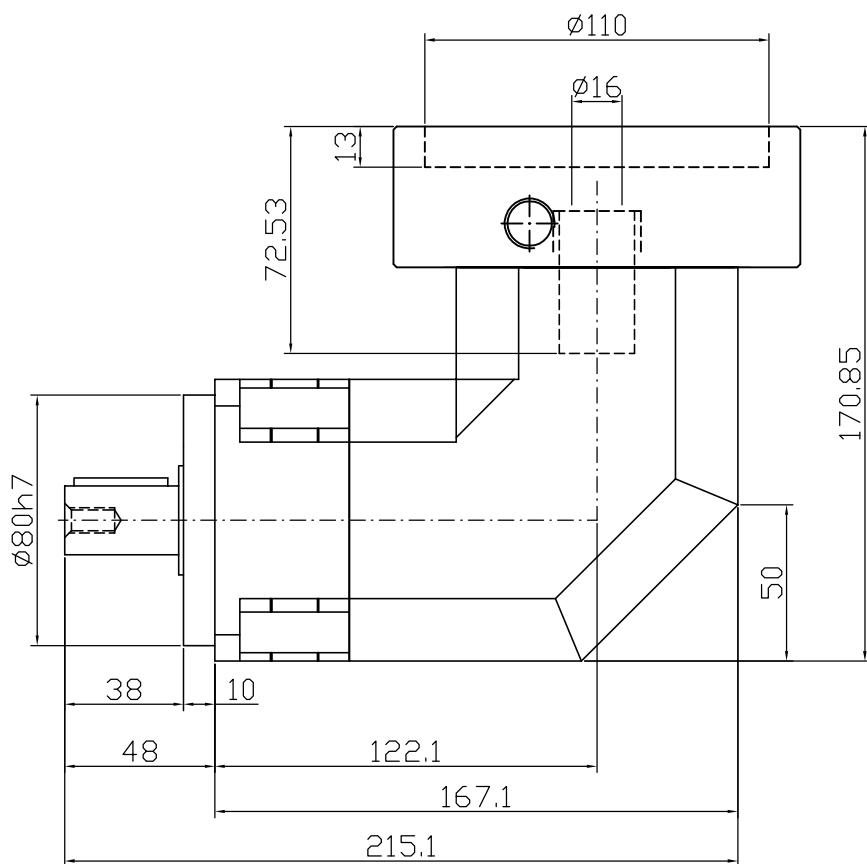
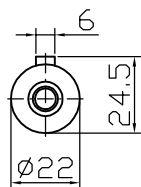
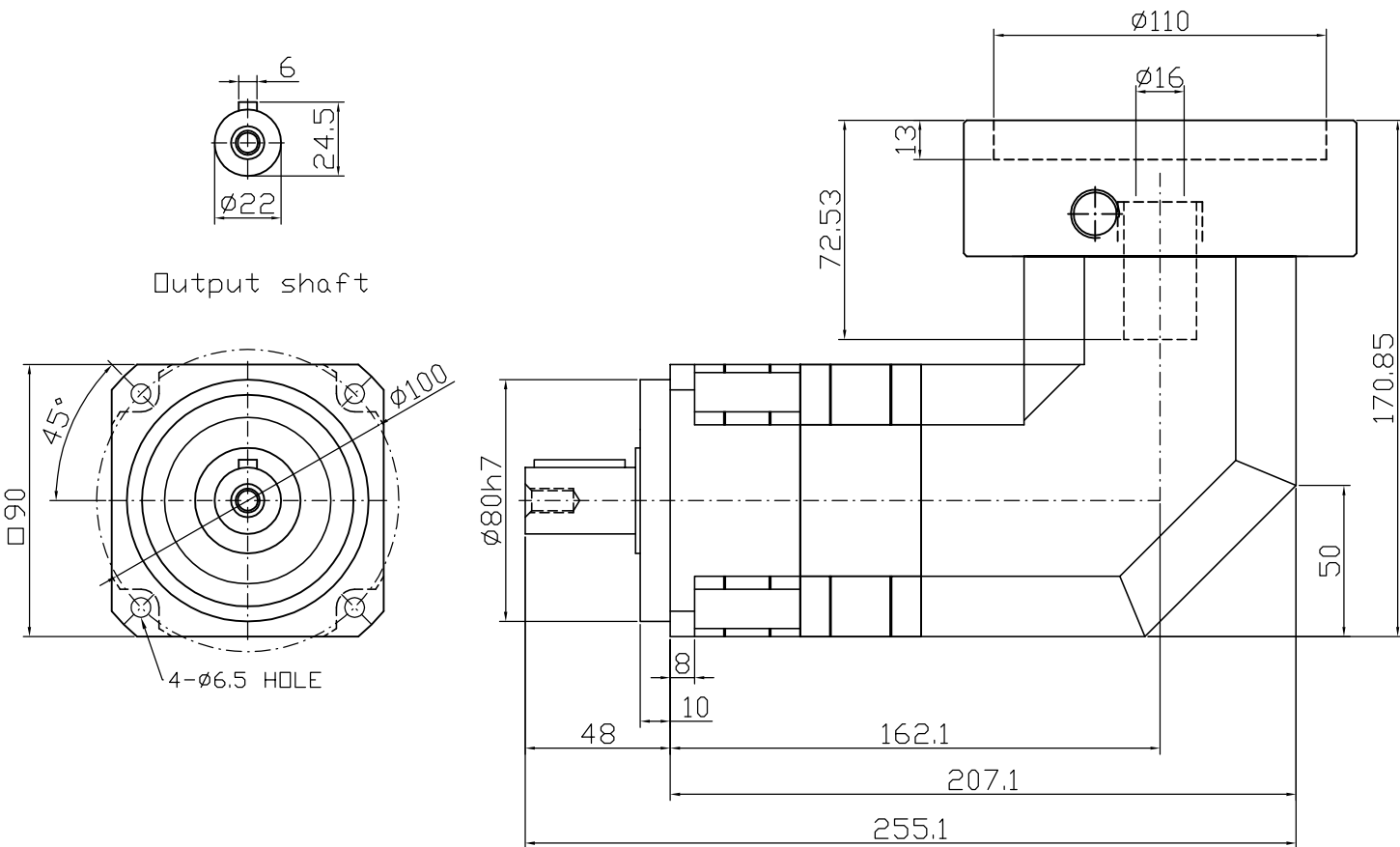


Output shaft



A  
B  
C  
D  
E



Output shaft

