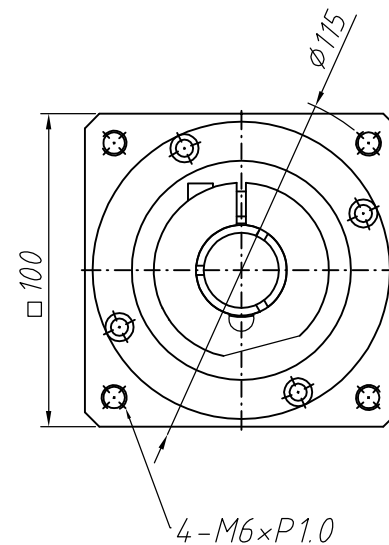
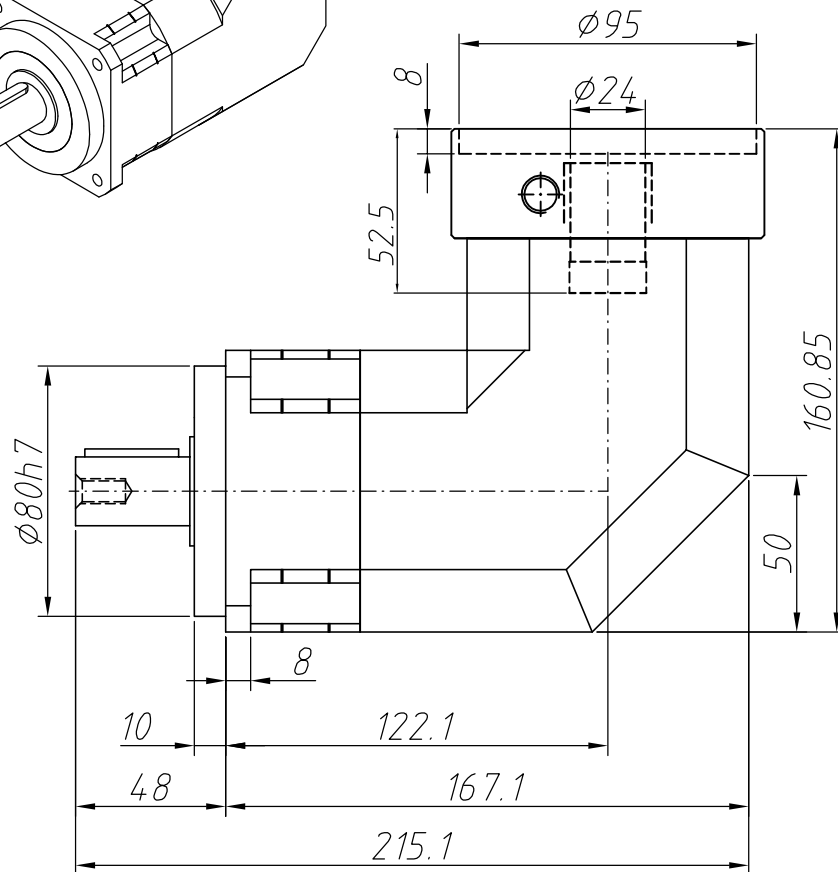
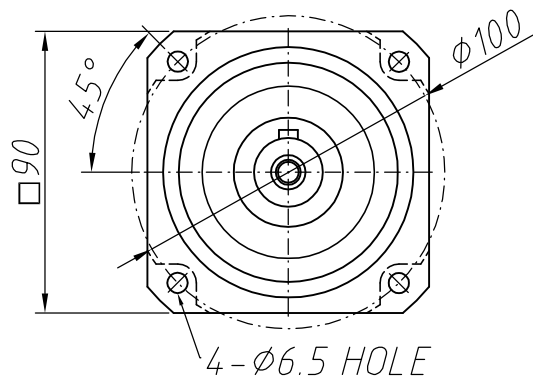
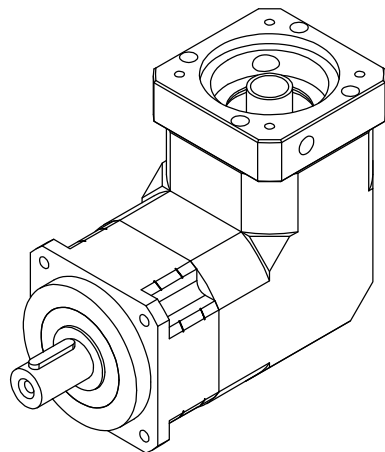
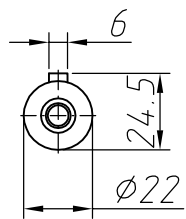
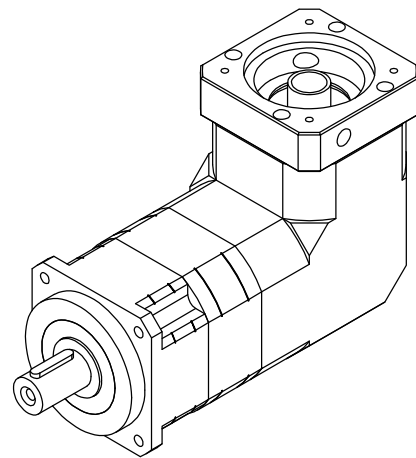


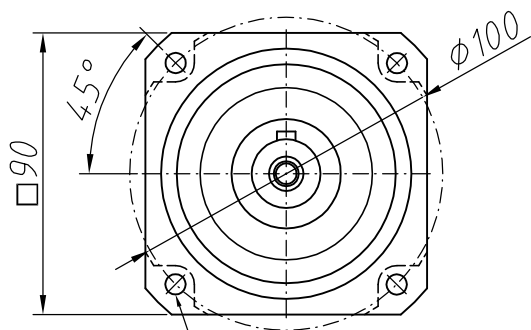
Output shaft



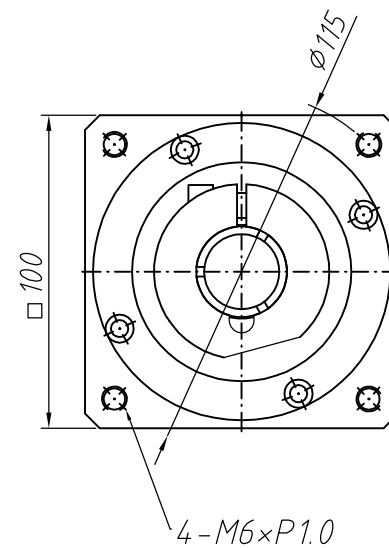
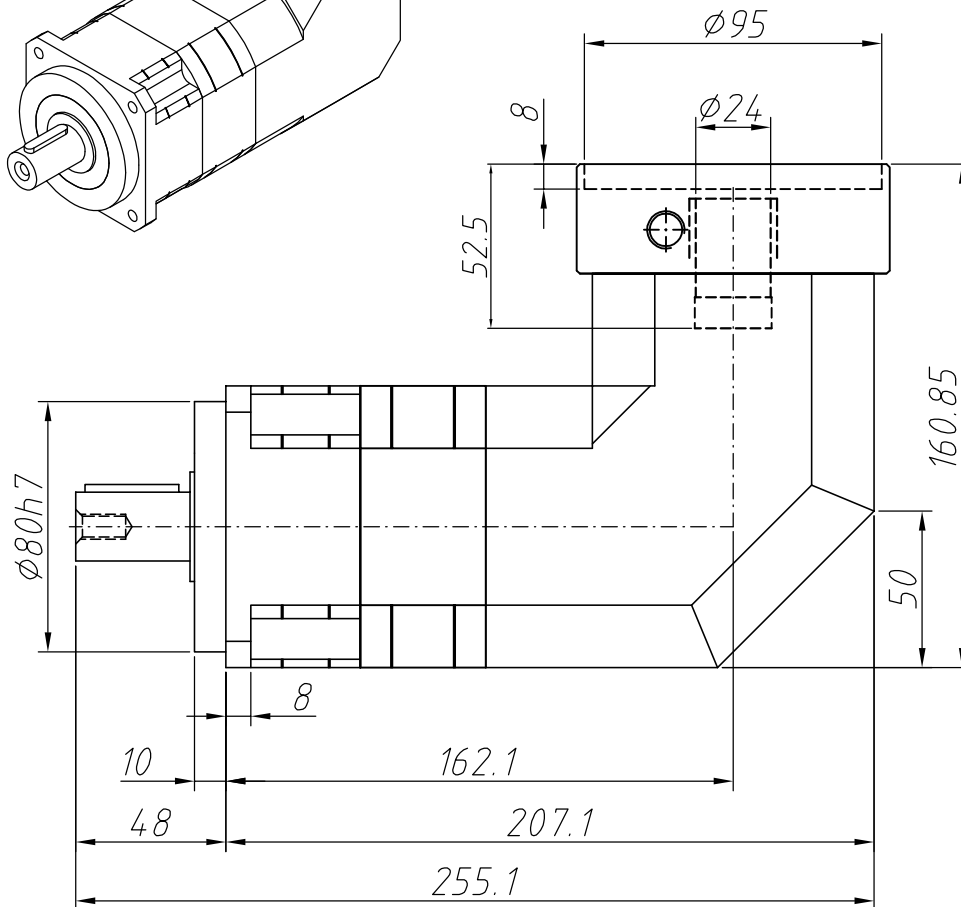
A
B
C
D
E



Output shaft



4- $\phi 6.5$ HOLE



4-M6xP1.0