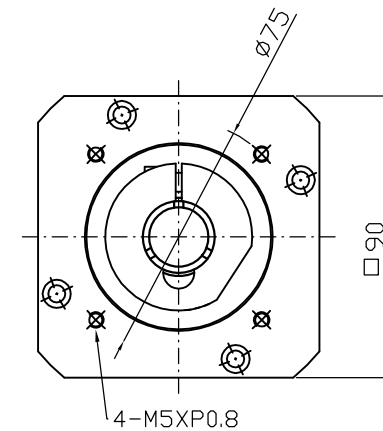
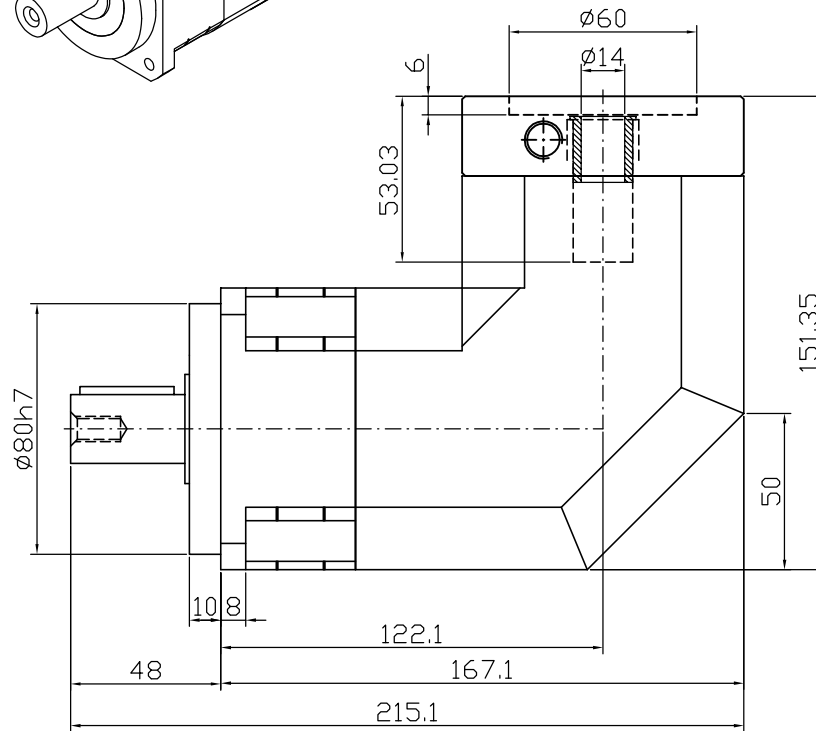
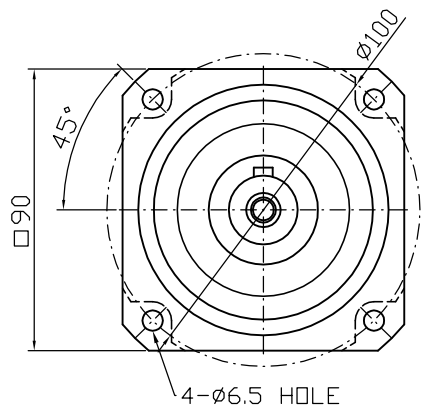
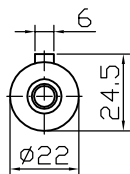
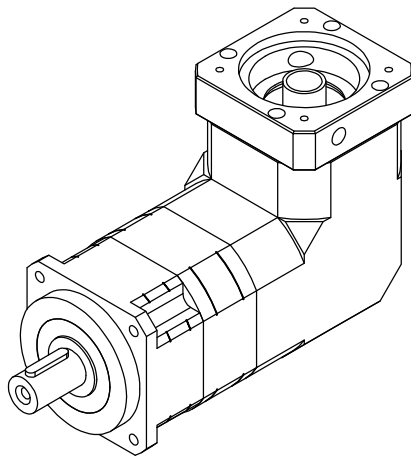
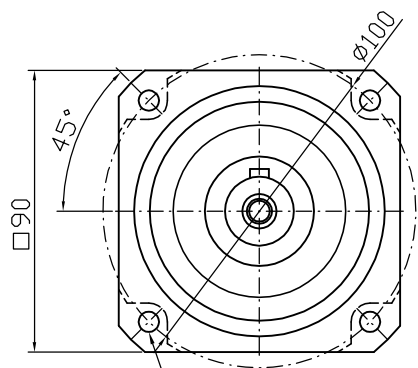


Output shaft

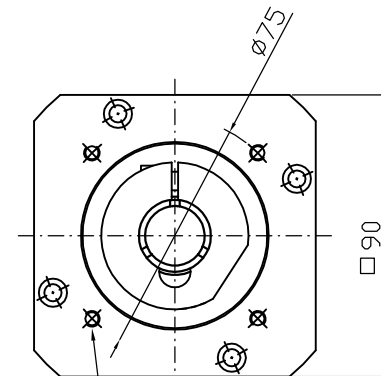
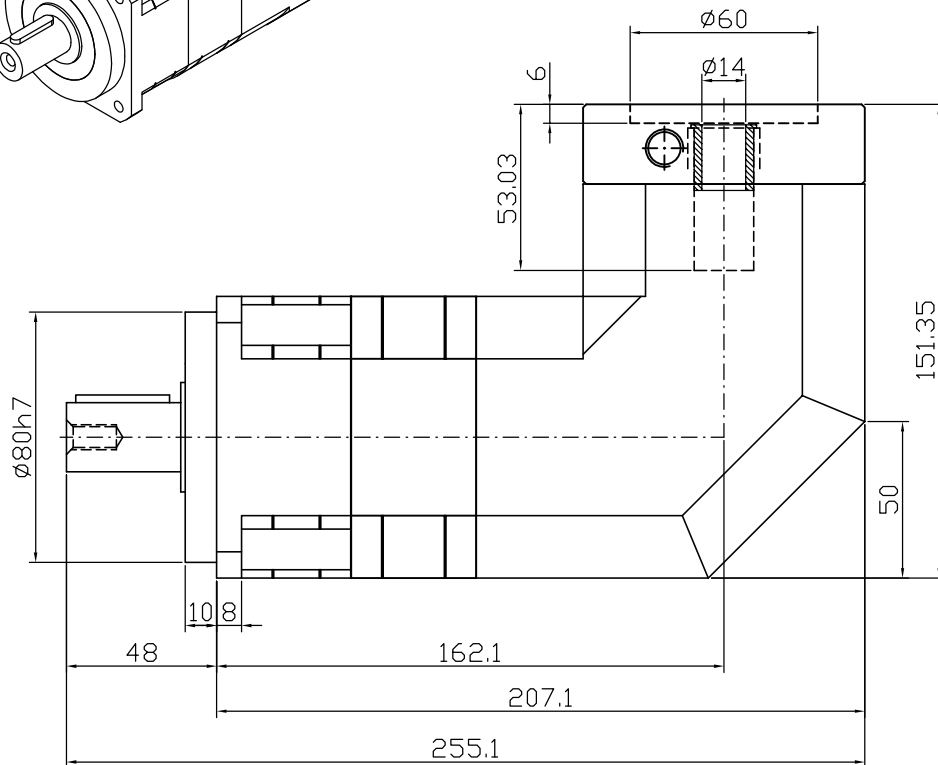




Output shaft



4- $\phi$ 6.5 HOLE



4-M5XP0.8