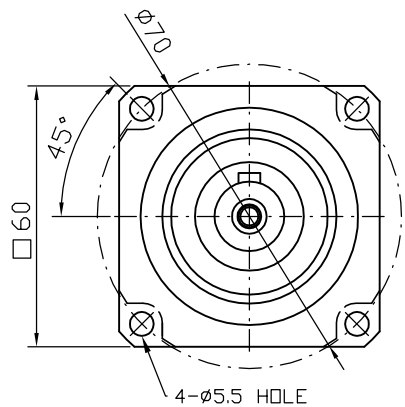
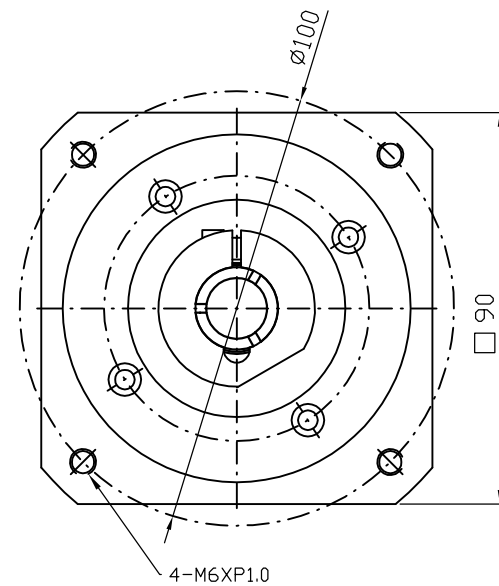
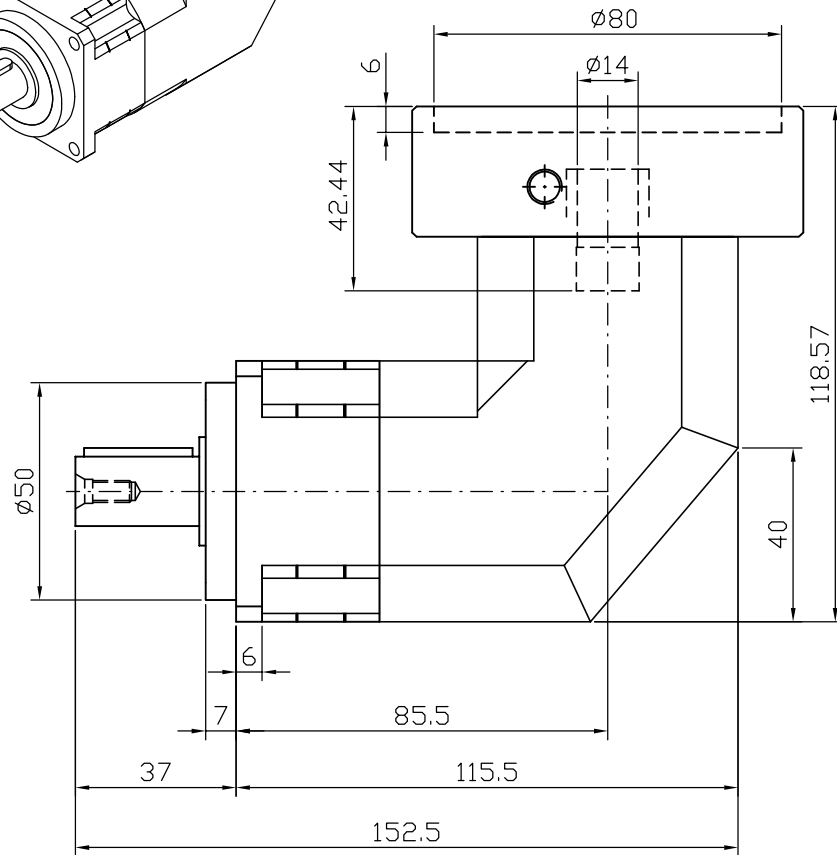


Output shaft

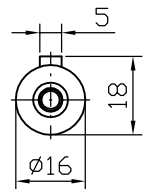
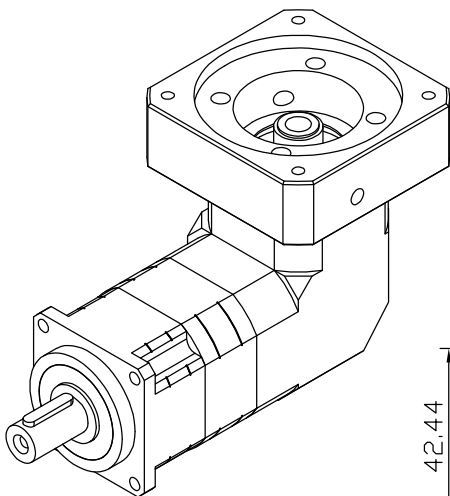


4- ϕ 5.5 HOLE



4-M6XP1.0

A
B
C
D
E



Output shaft

