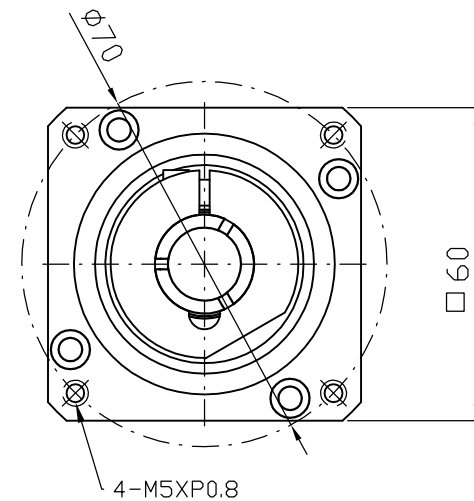
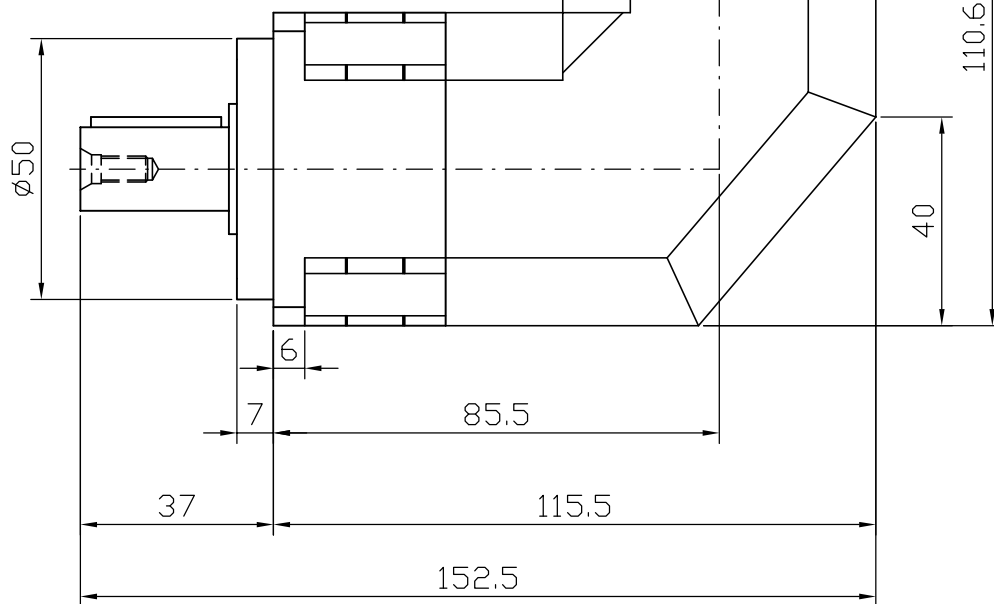
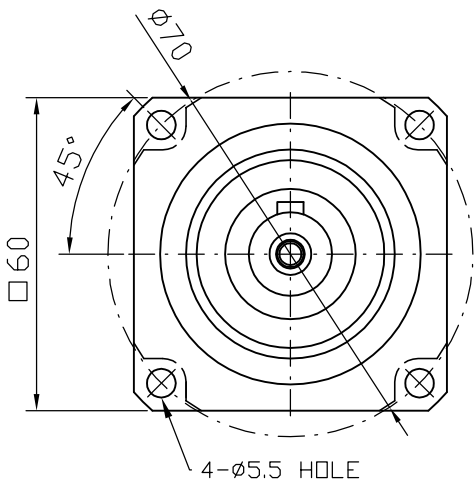
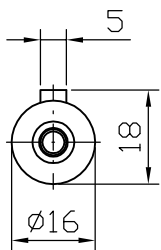
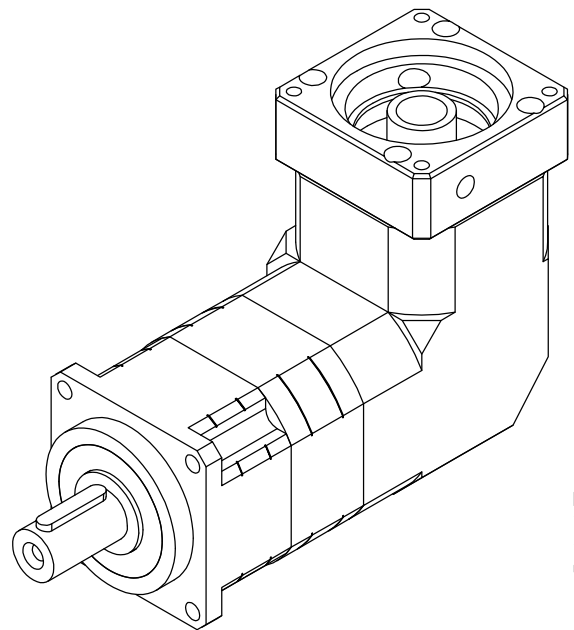
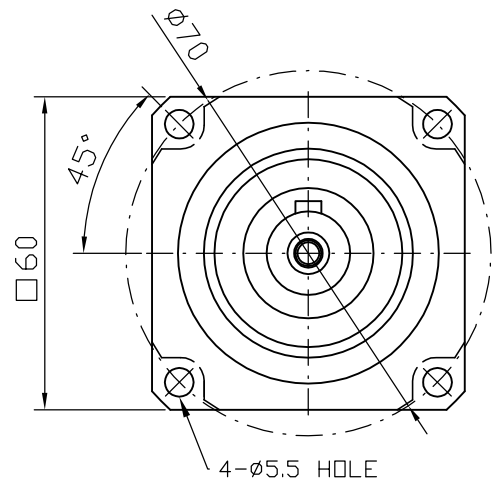


Output shaft

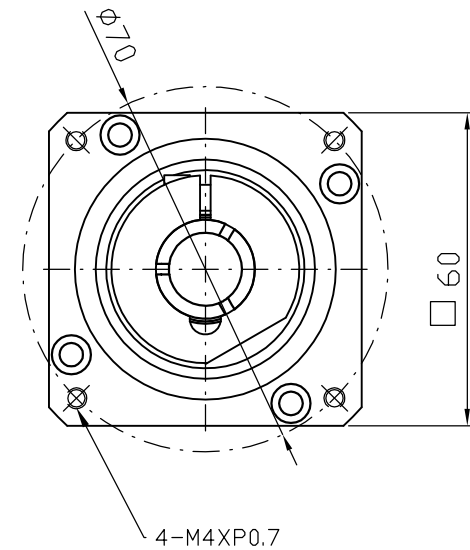
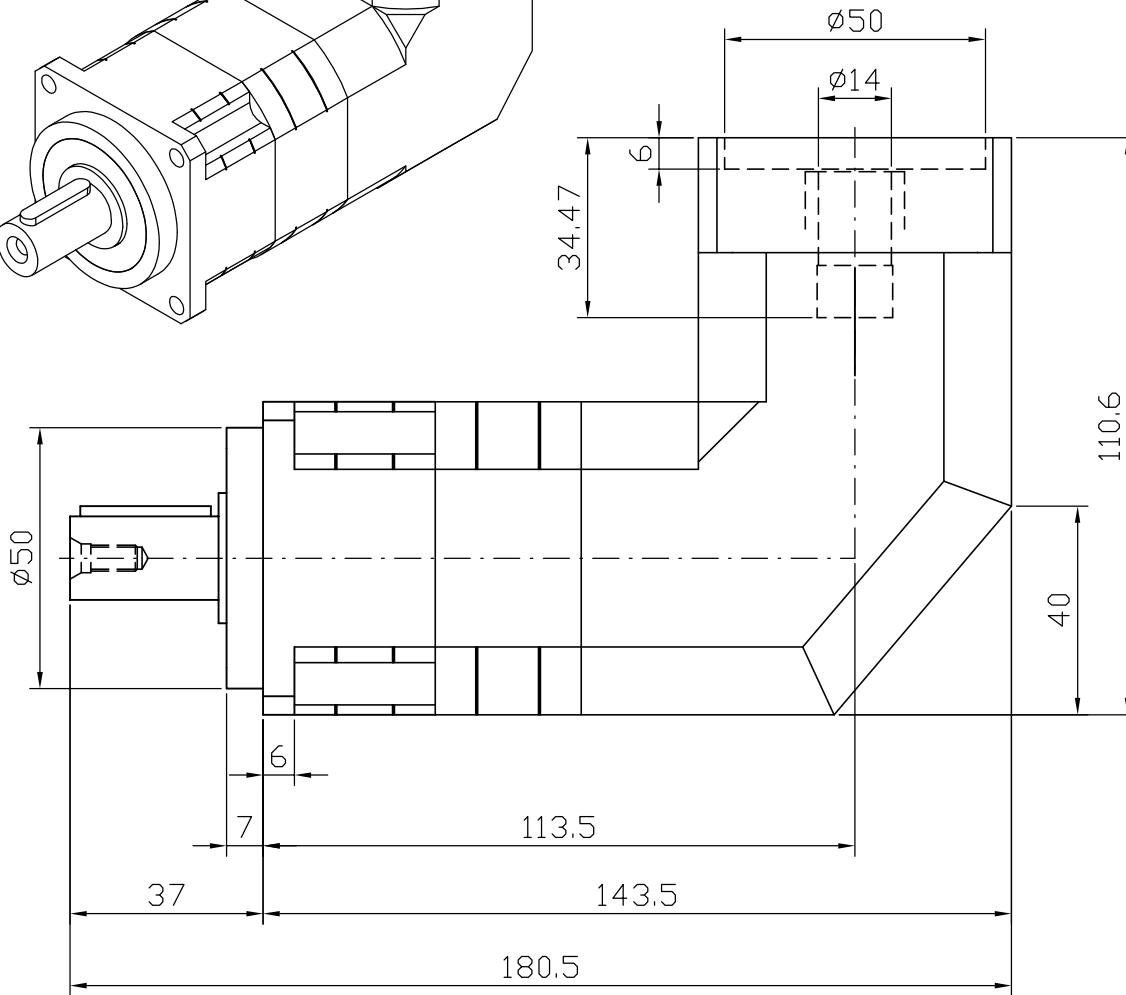




Output shaft



4- ϕ 5.5 HOLE



4-M4XP0.7