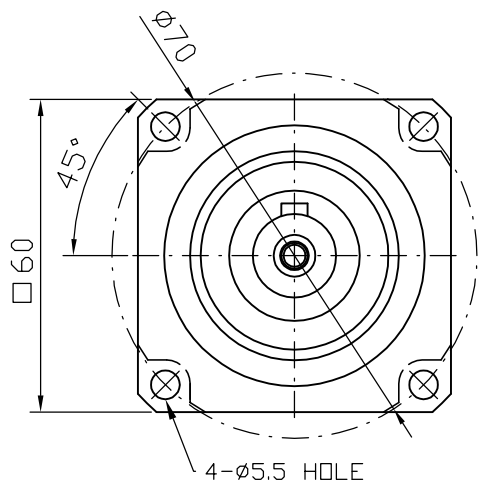
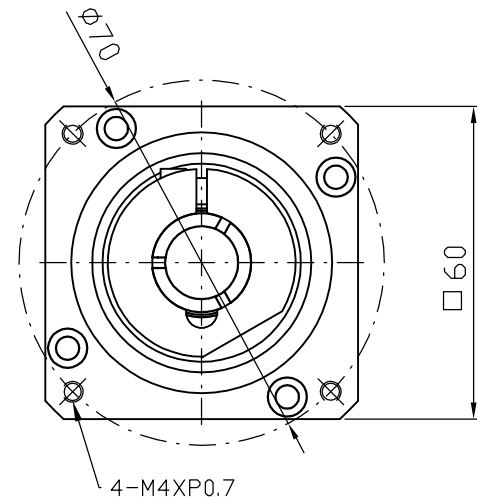
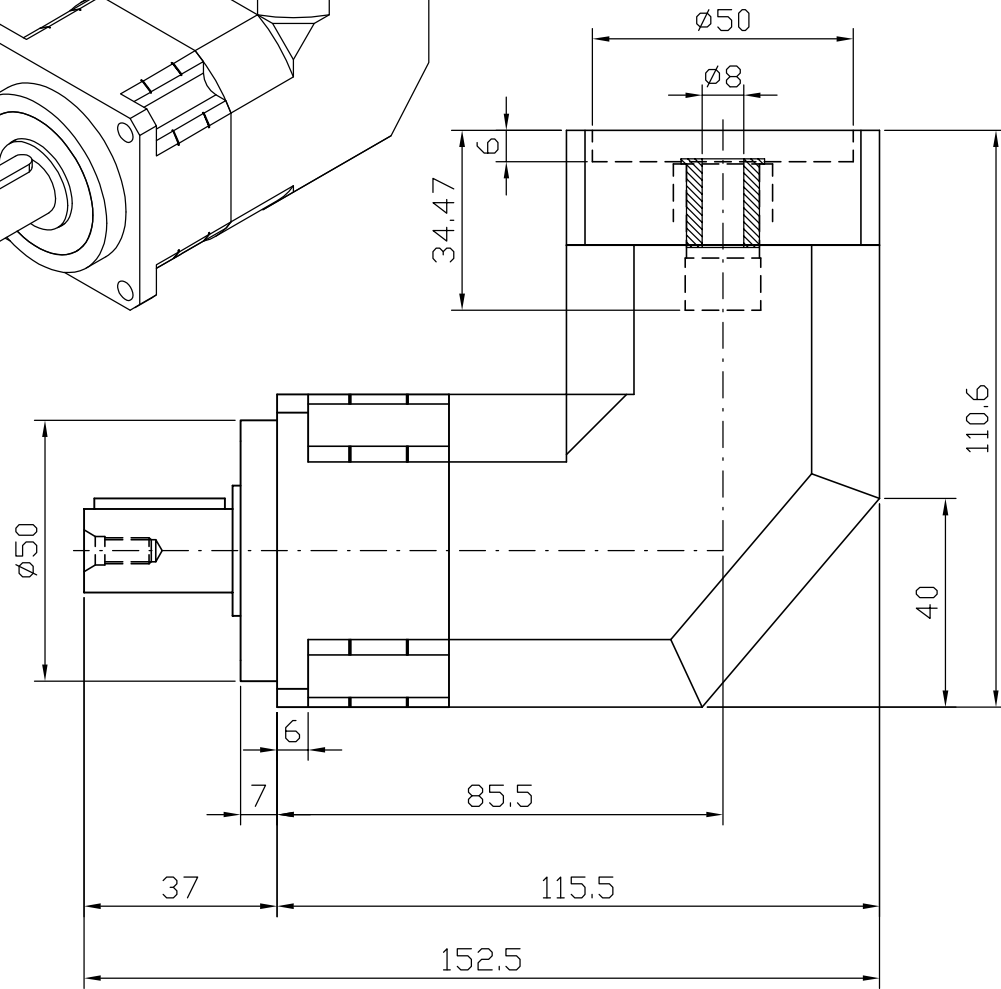


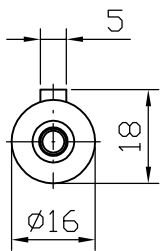
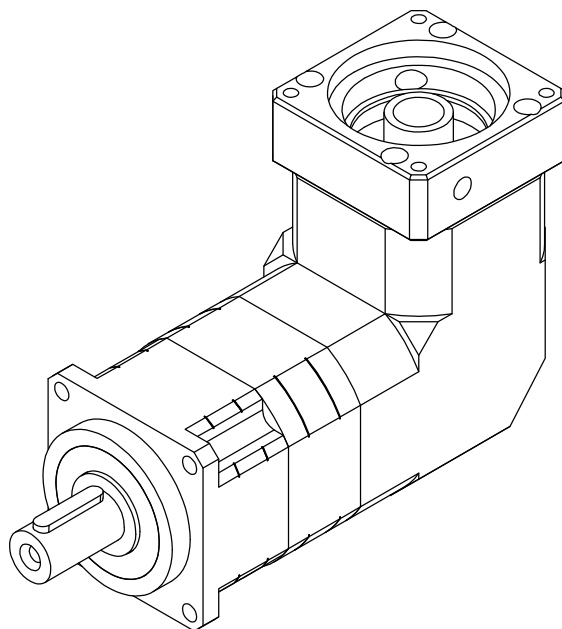
Output shaft



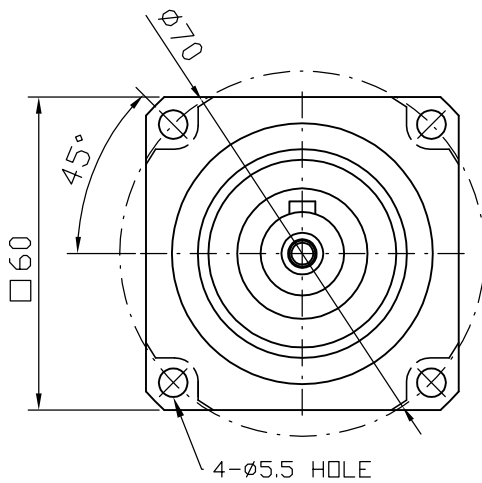
4- ϕ 5.5 HOLE



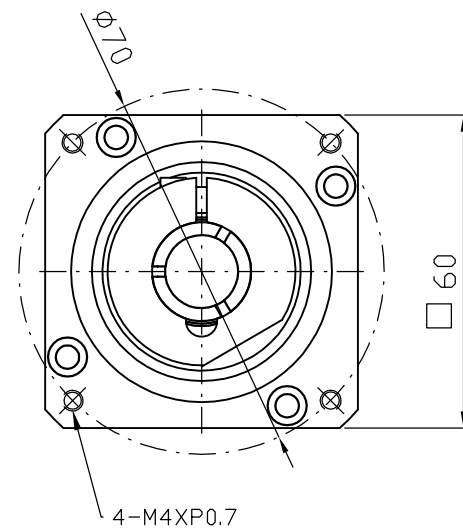
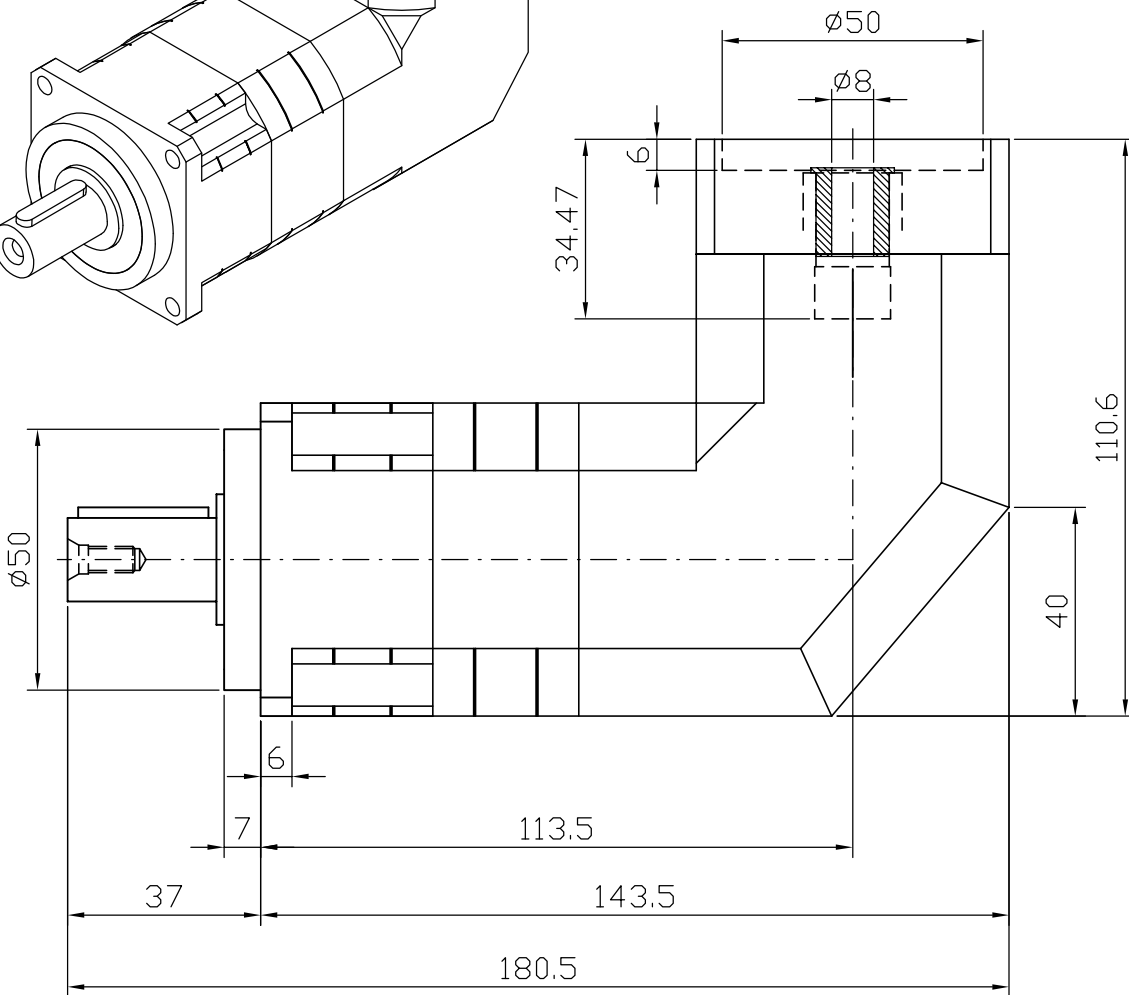
4-M4XP0.7



Output shaft



4- $\phi 5.5$ HOLE



4-M4XP0.7