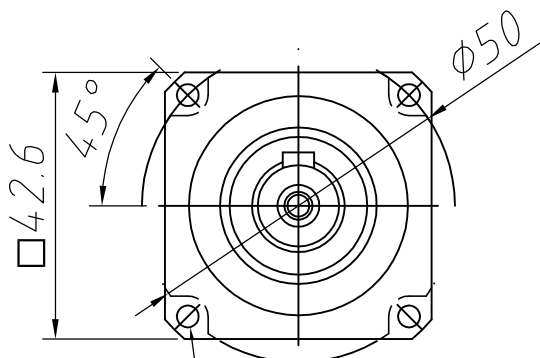
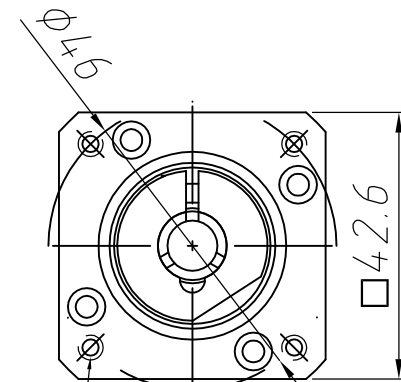
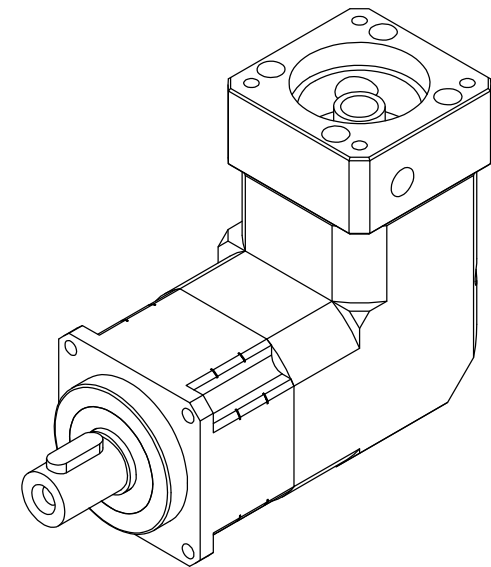
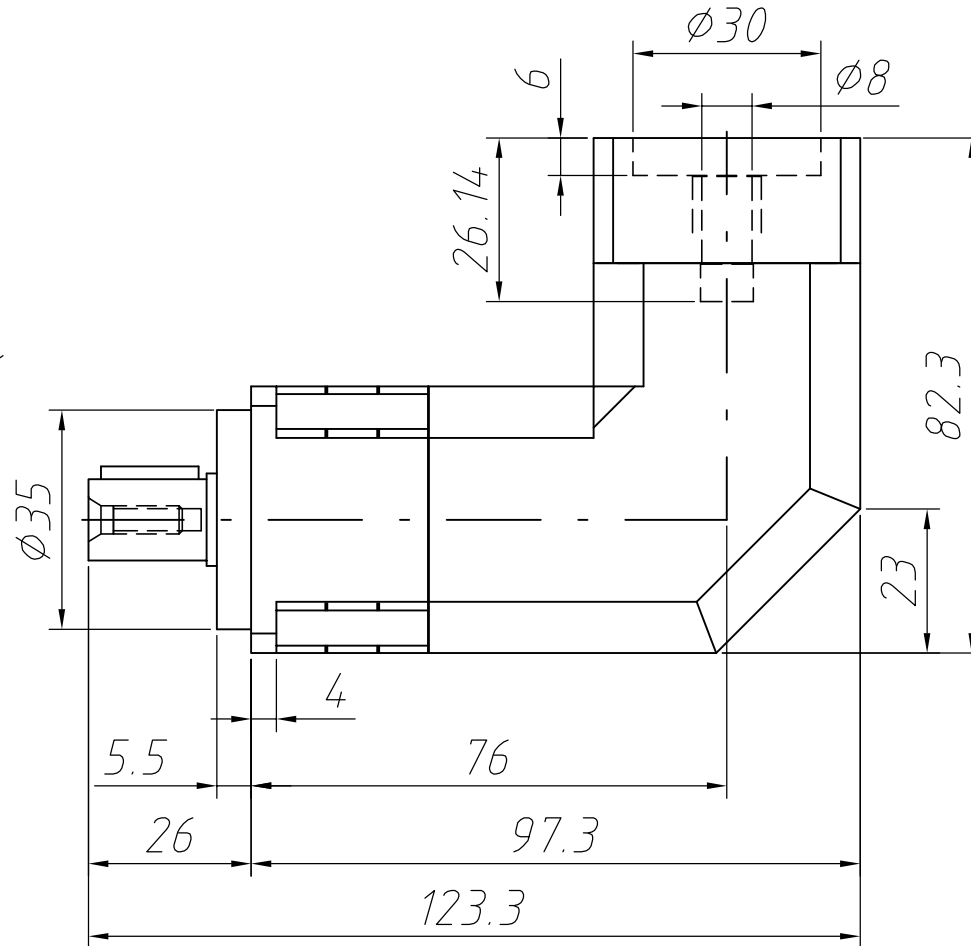


Output shaft

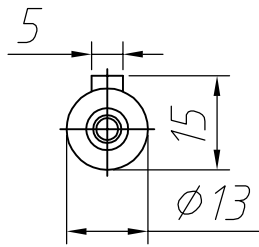
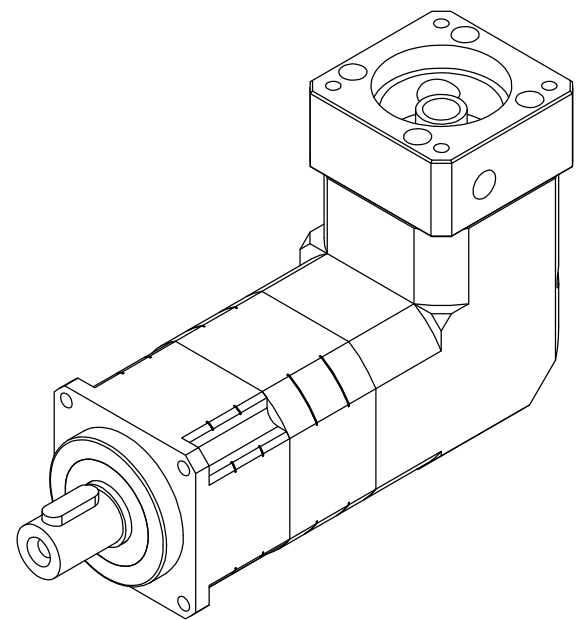


4- $\phi$ 3.5 HOLE

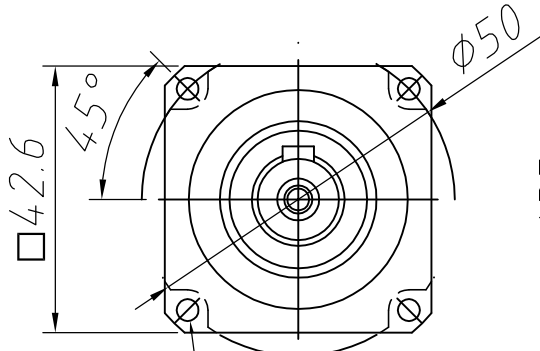


4-M4XP0.7

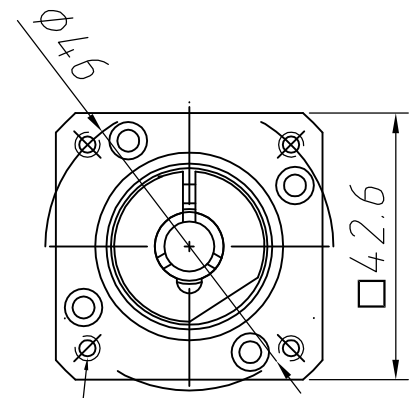
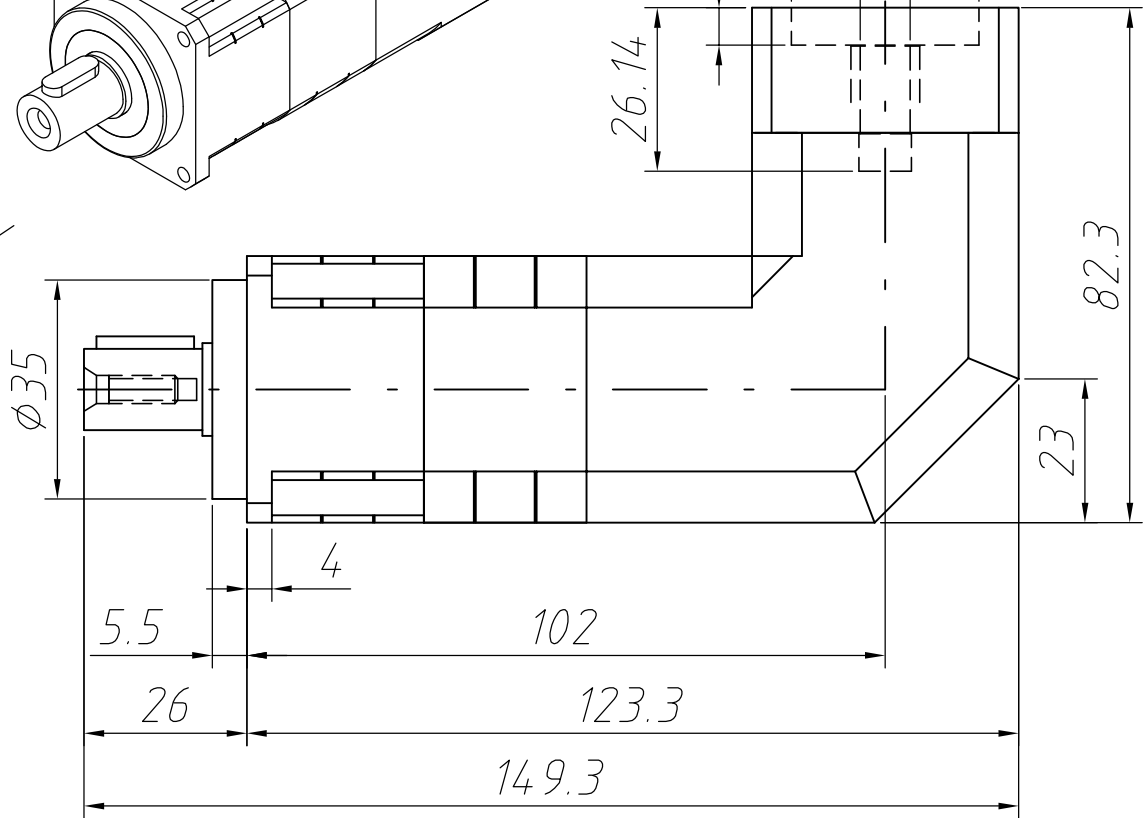
A  
B  
C  
D  
E



Output shaft



4- $\phi$ 3.5 HOLE



4-M4XP0.7