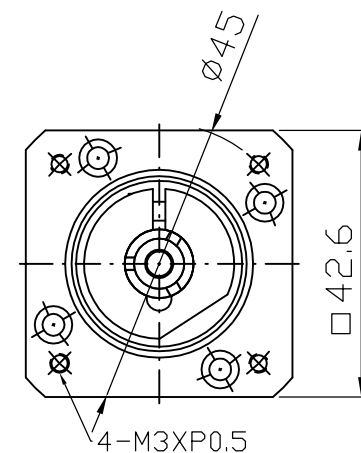
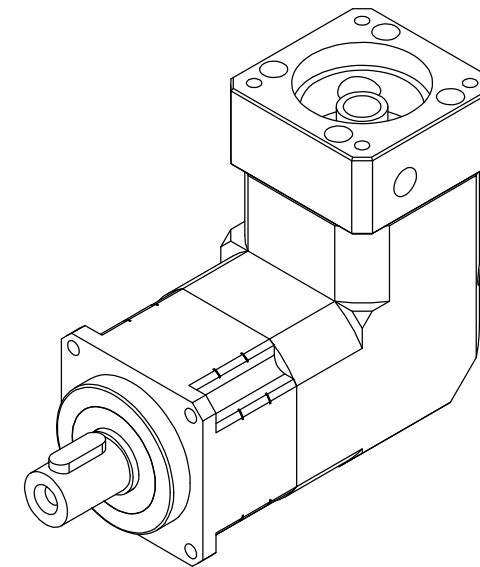
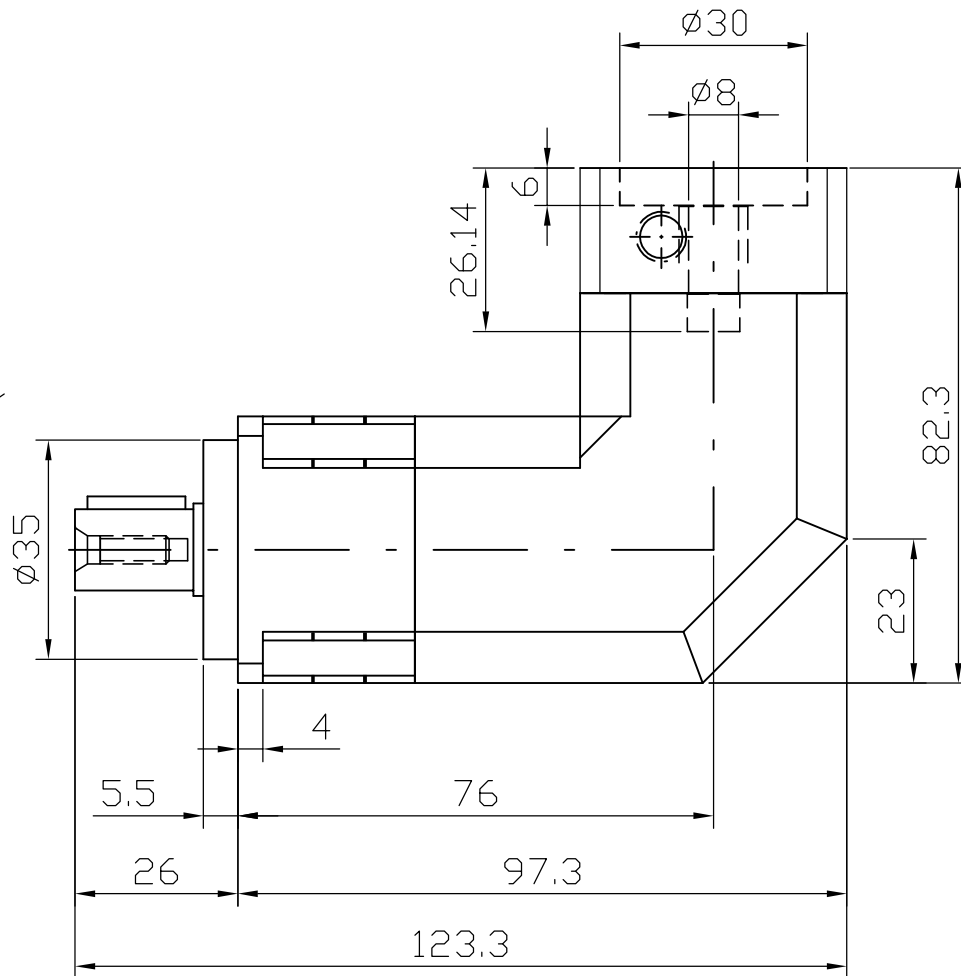
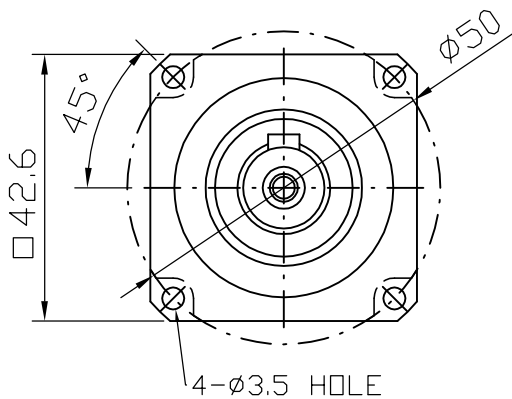
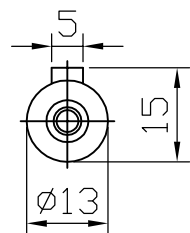
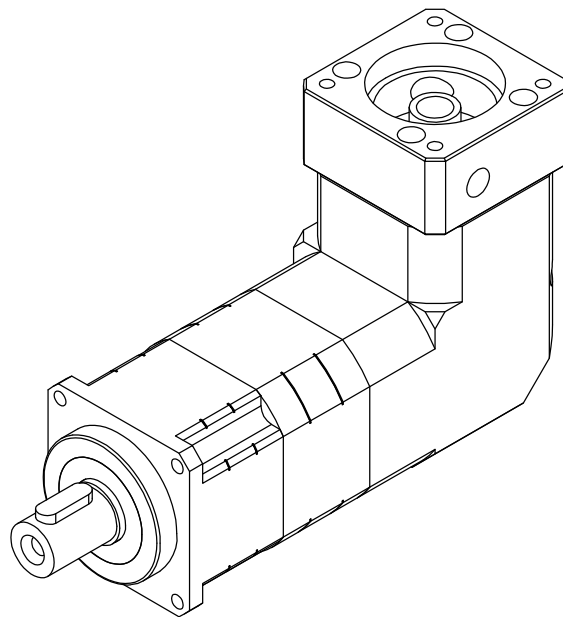
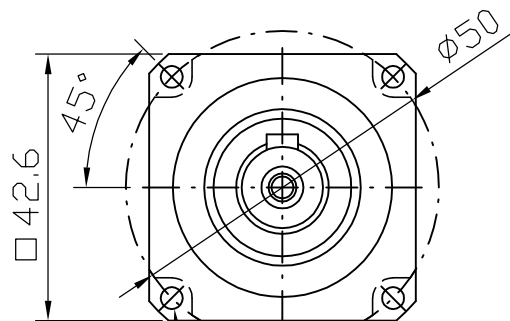


Output shaft

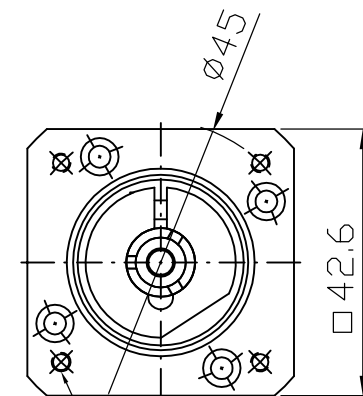
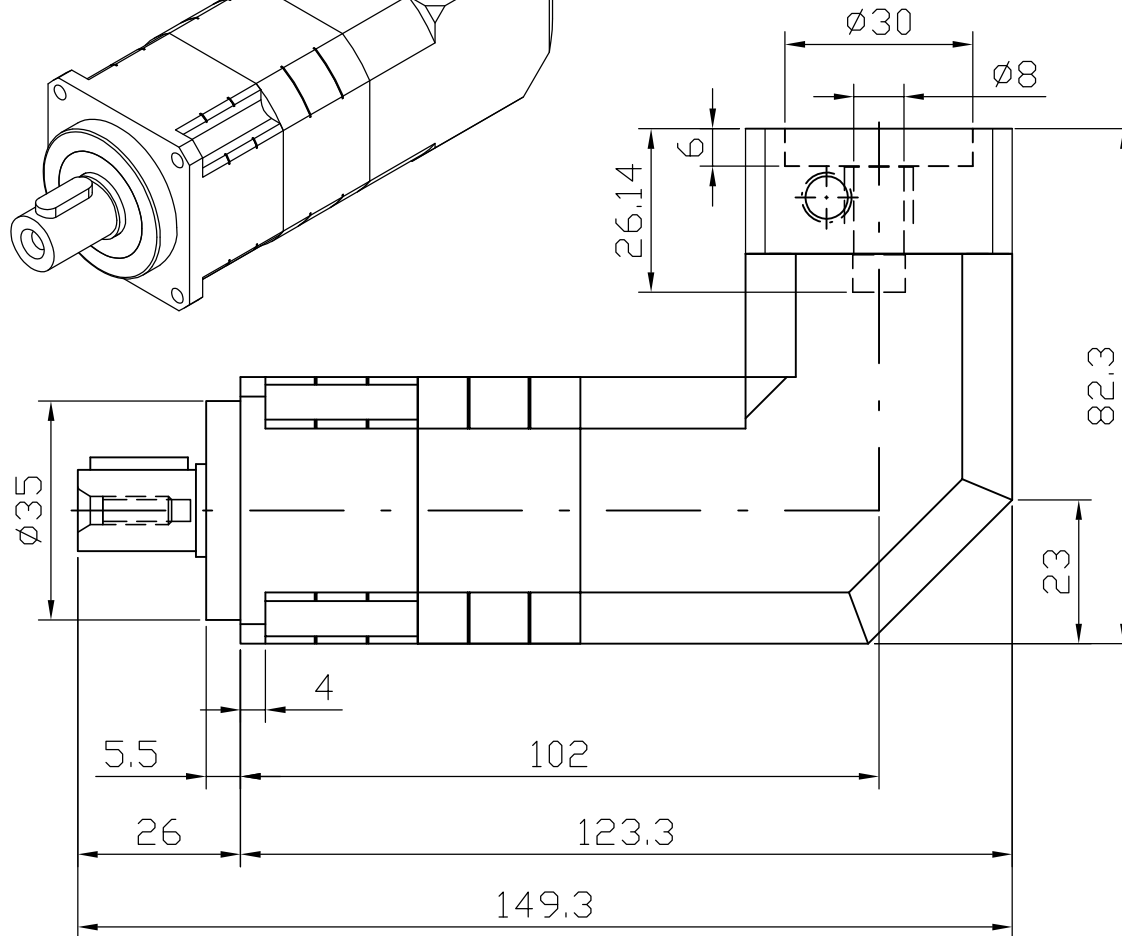




Output shaft



4- $\phi 3.5$  HOLE



4-M3XP0.5