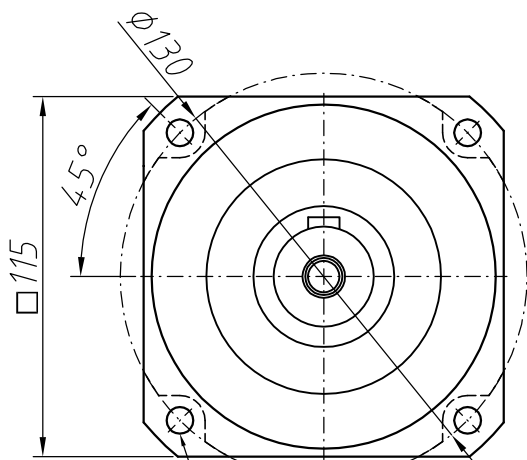
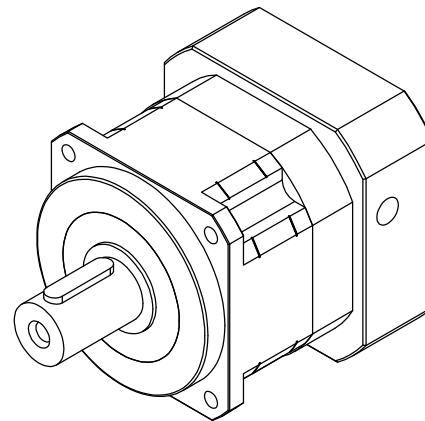
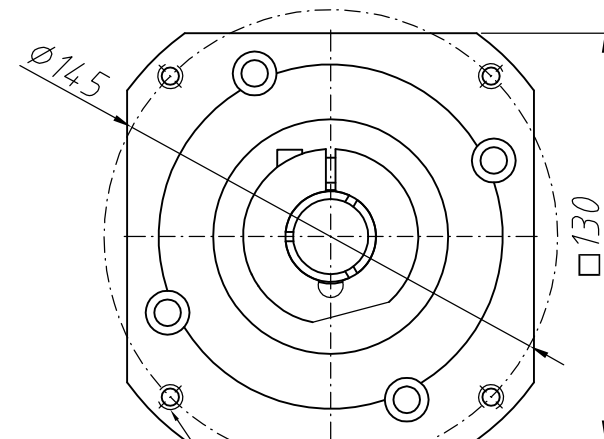
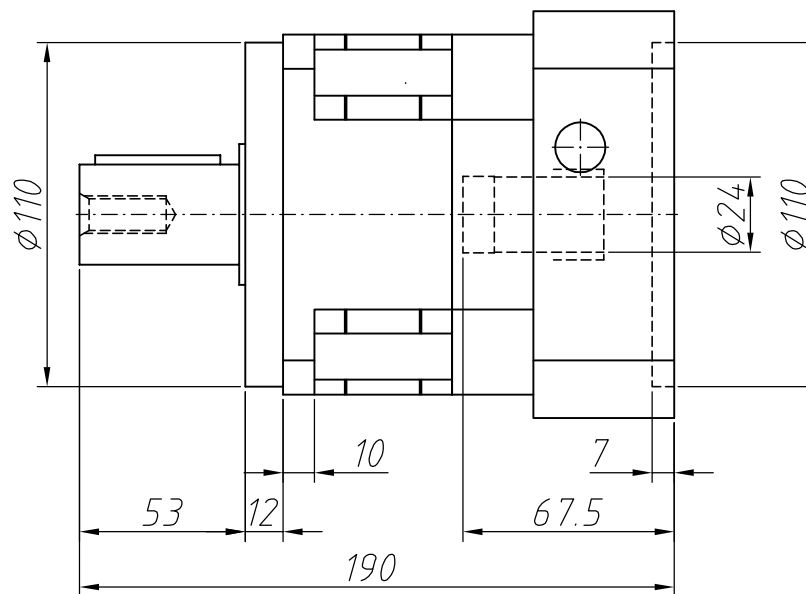


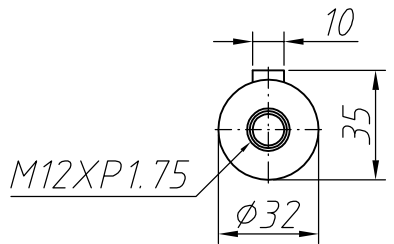
Output shaft



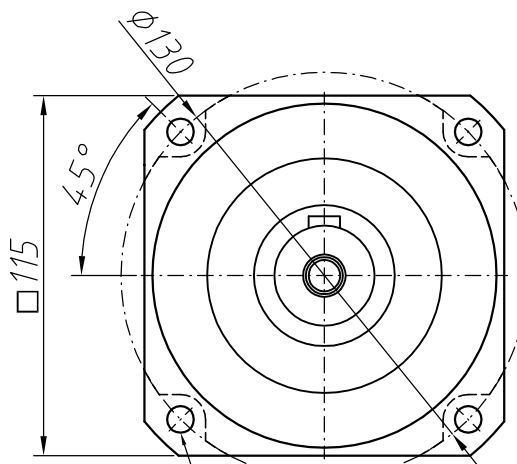
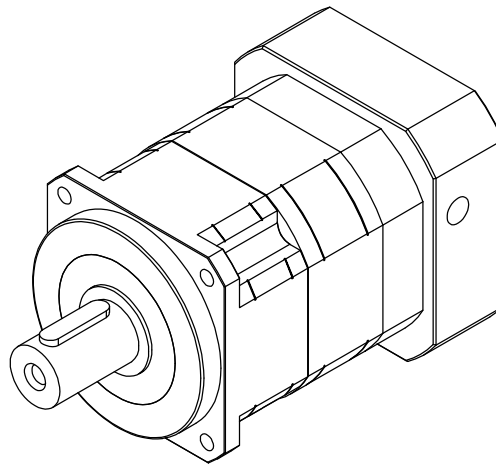
4- $\phi 8.5$ HOLE



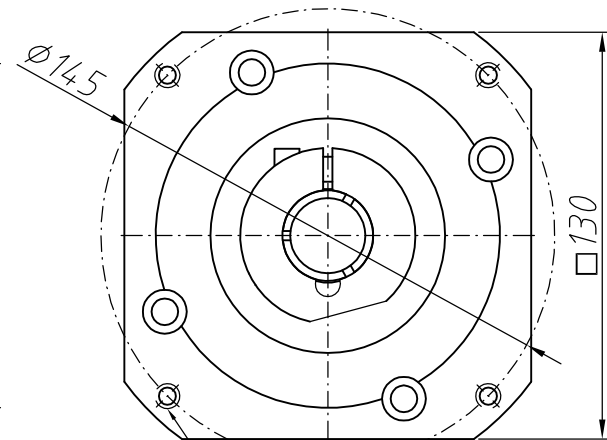
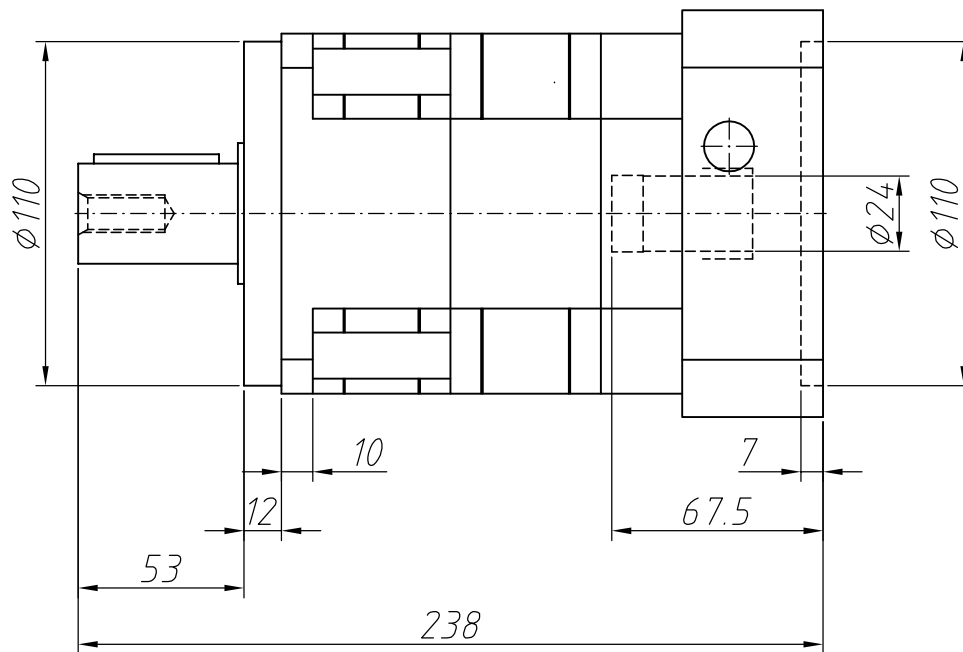
4-M8XP1.25



Output shaft



4- $\phi 8.5$ HOLE



4-M8XP1.25