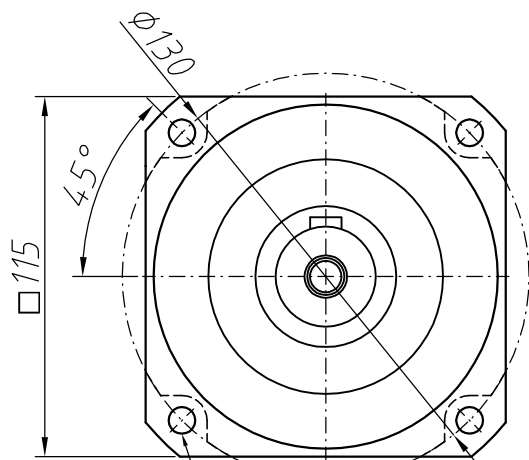
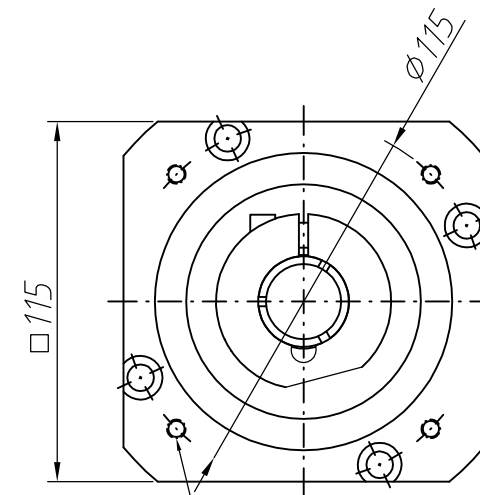
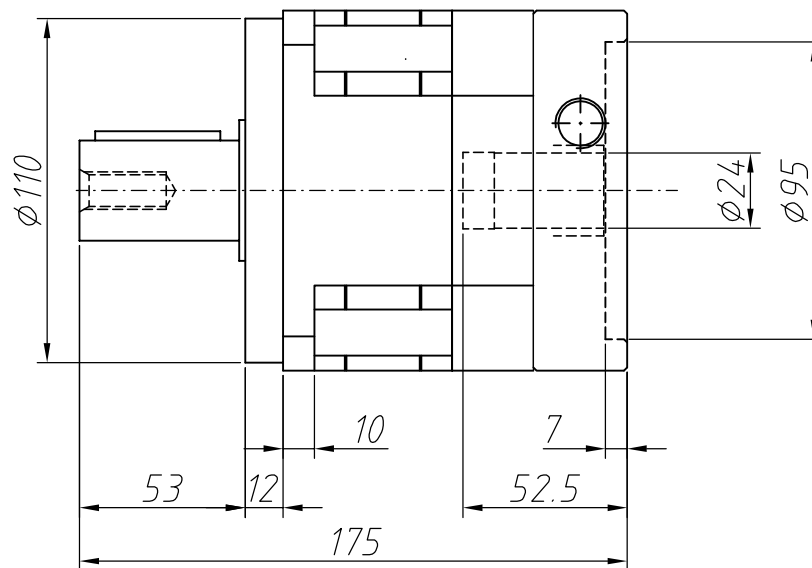


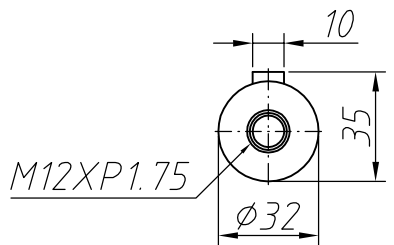
Output shaft



4- $\phi 8.5$ HOLE



4-M6XP1.0



Output shaft

