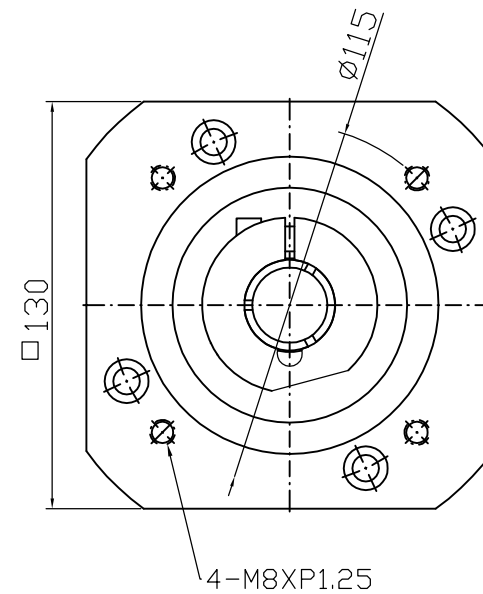
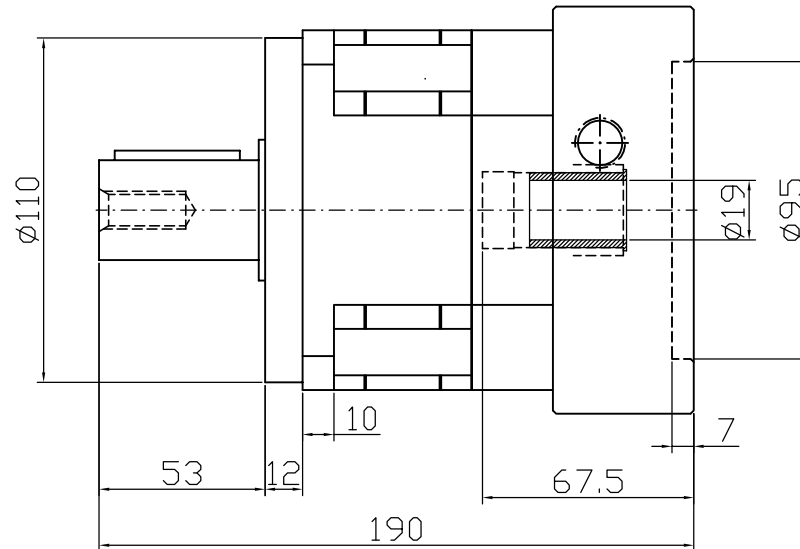
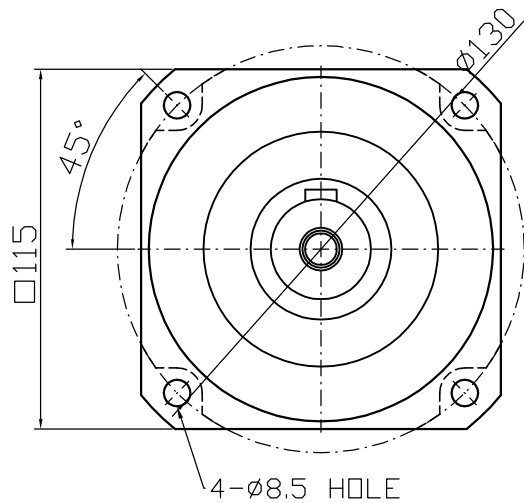
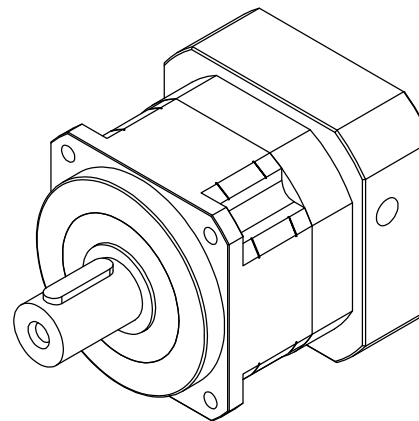
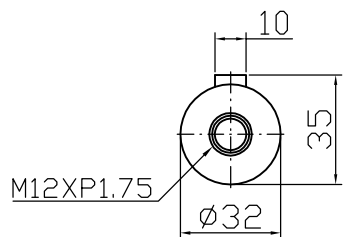
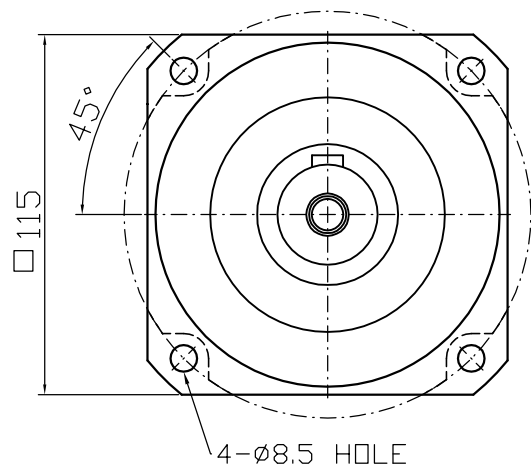
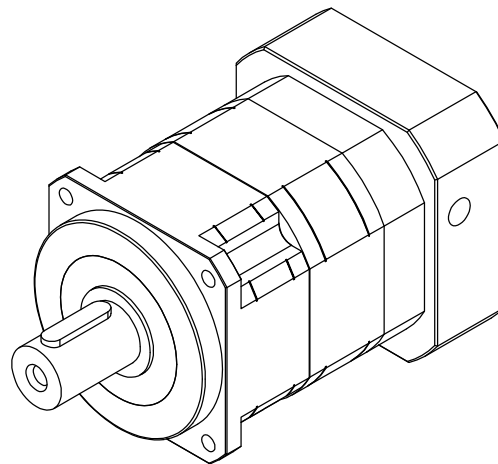


Output shaft

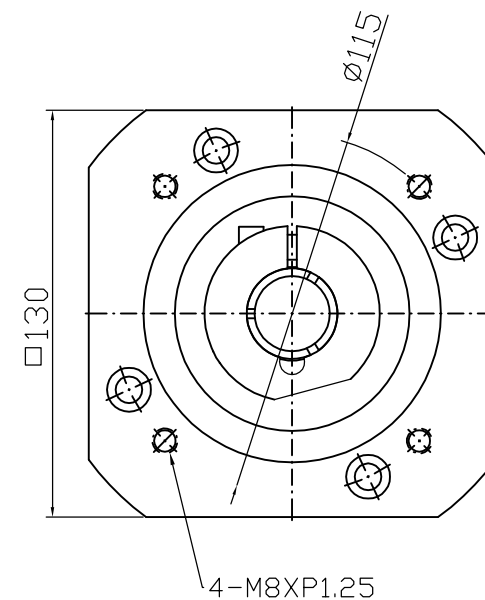
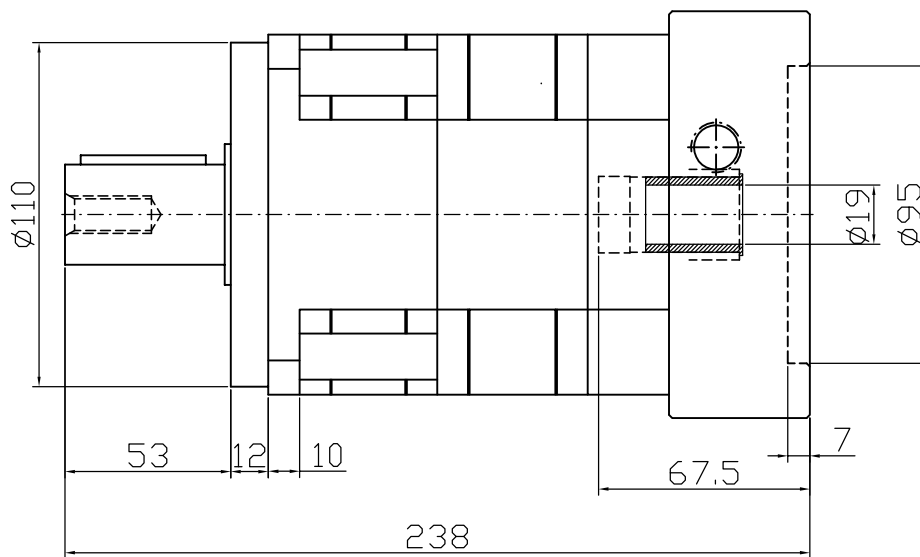




Output shaft



4- $\varnothing$ 8.5 HOLE



4-M8XP1.25