

A

B

C

D

E

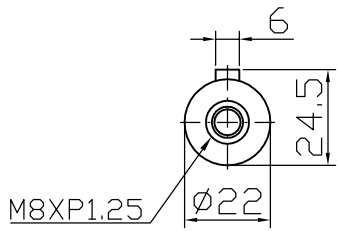
A

B

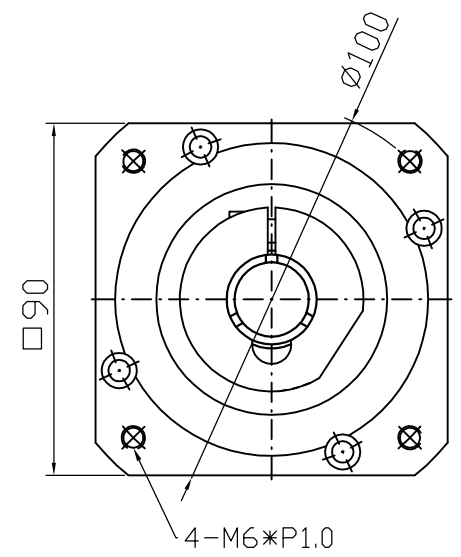
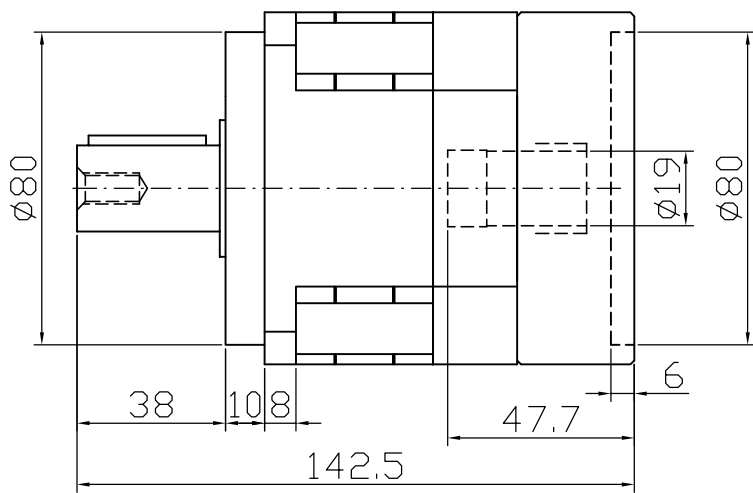
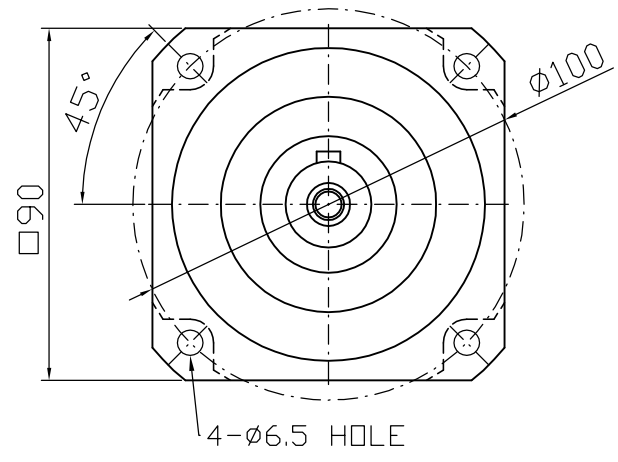
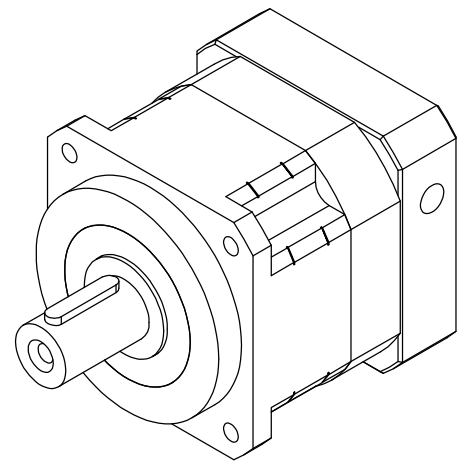
C

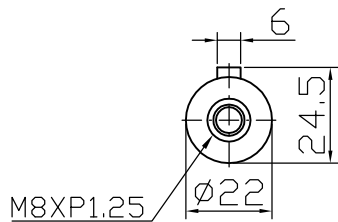
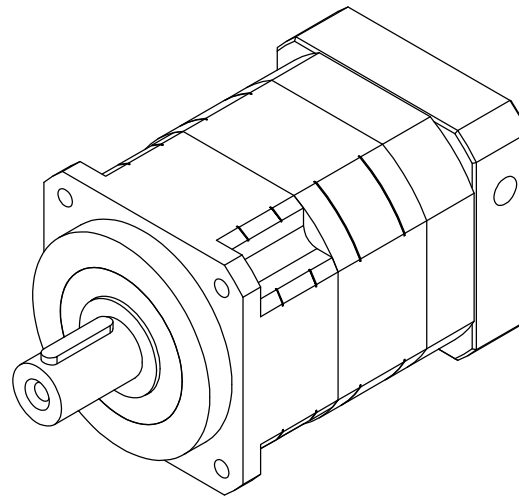
D

E



Output shaft





Output shaft

