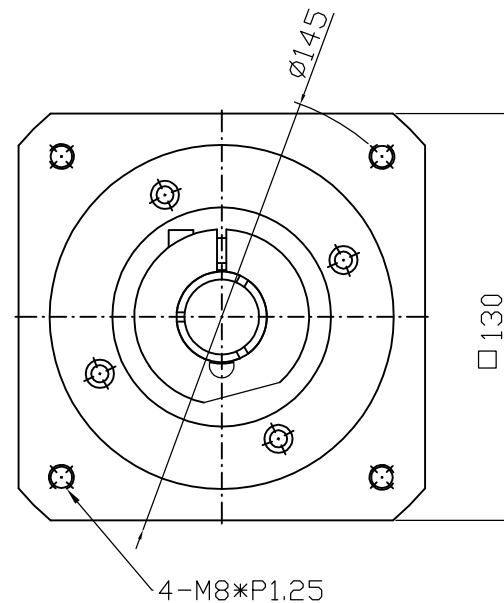
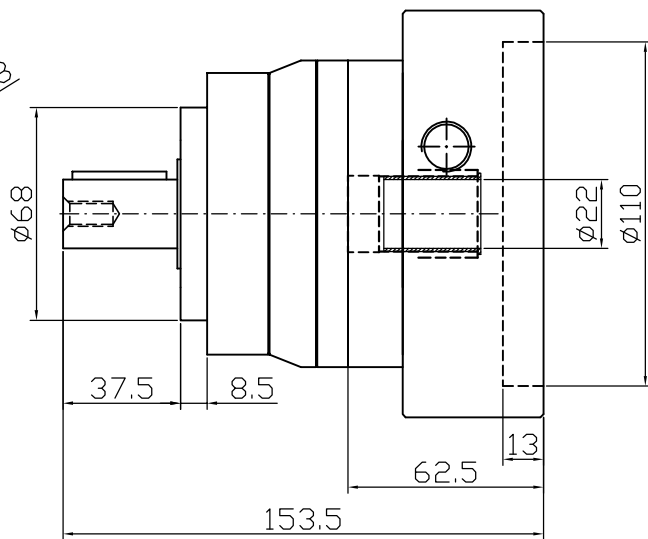
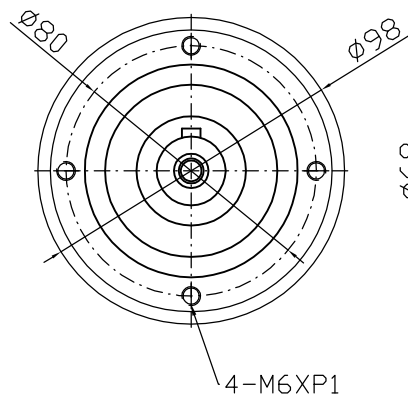
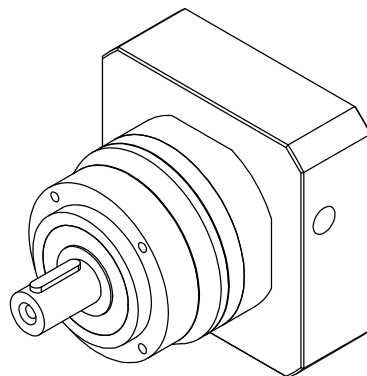
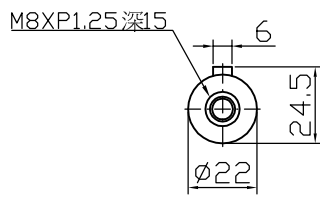
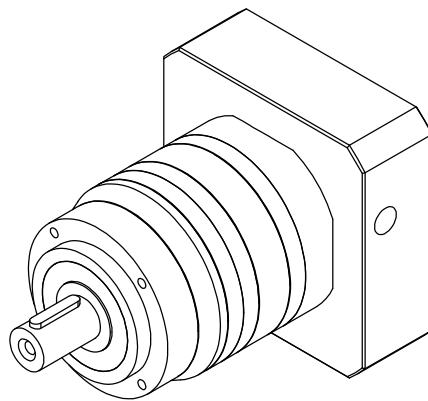


Output shaft





Output shaft

