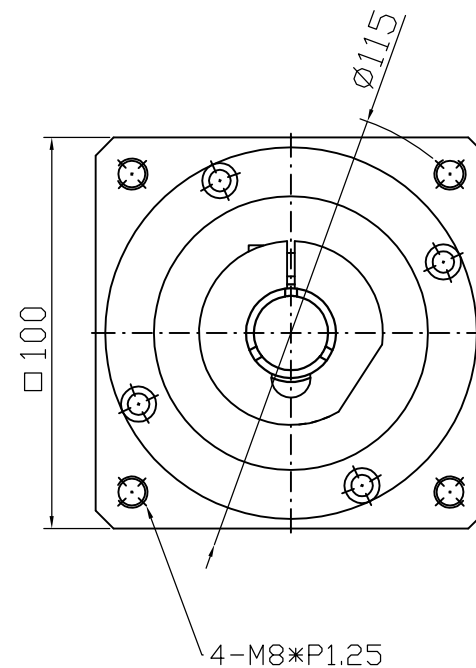
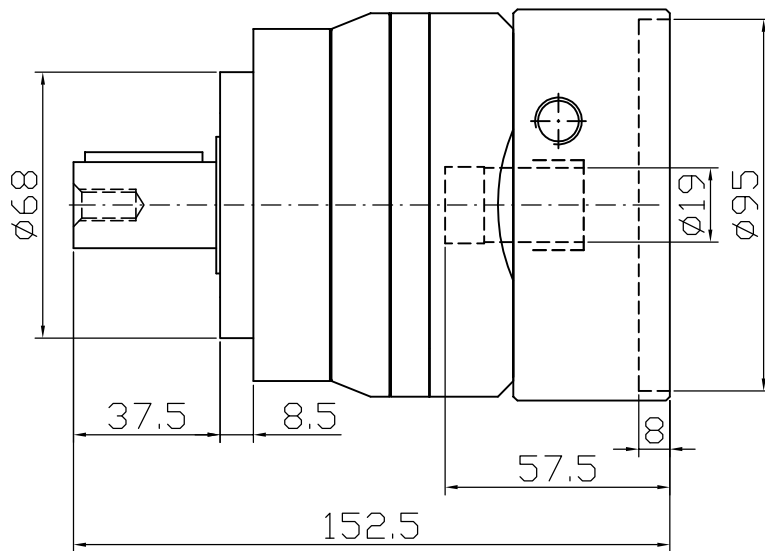
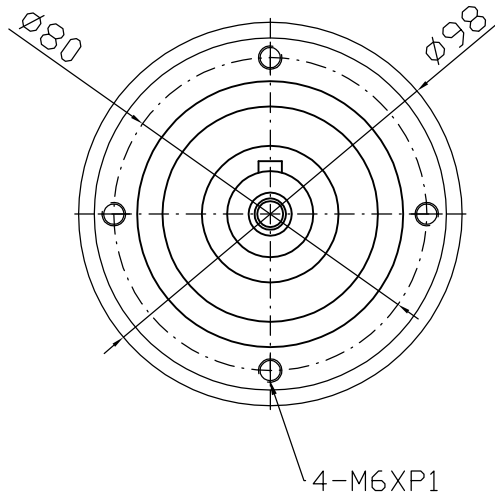
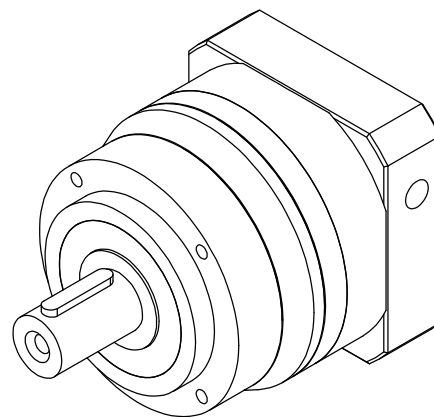
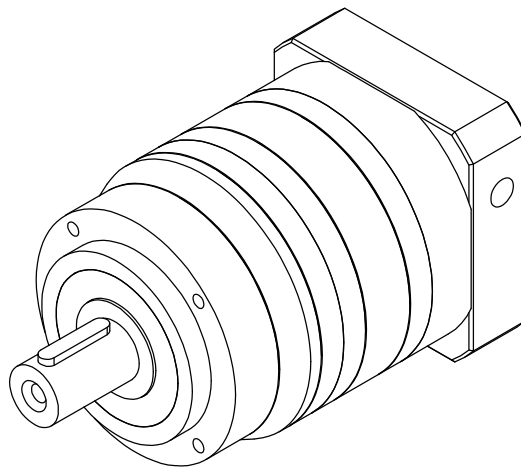
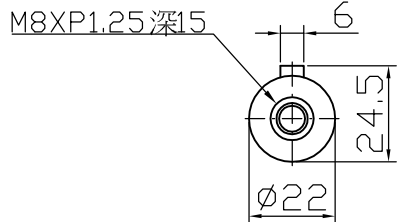
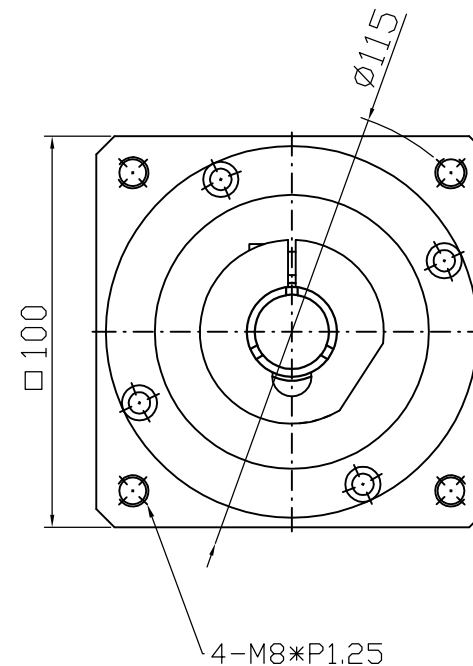
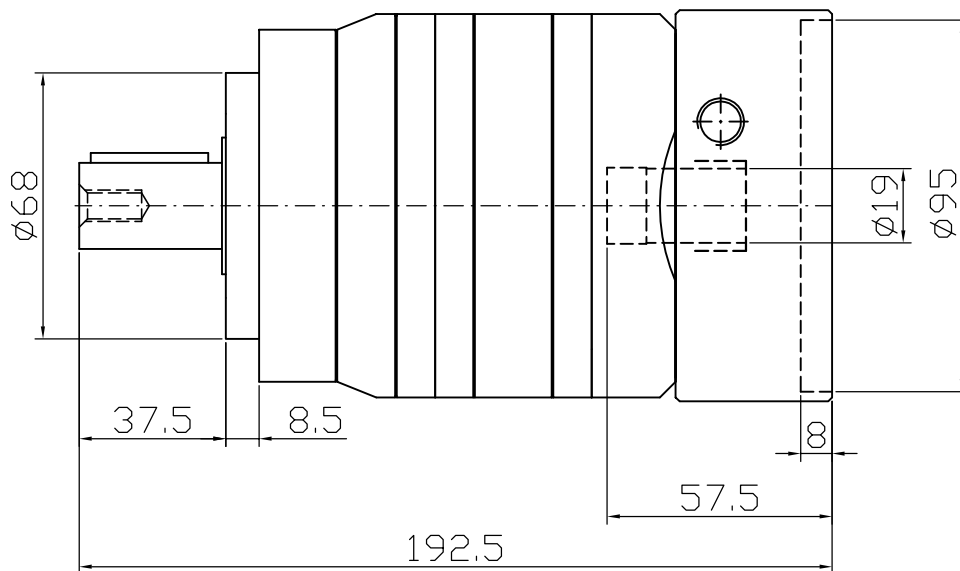
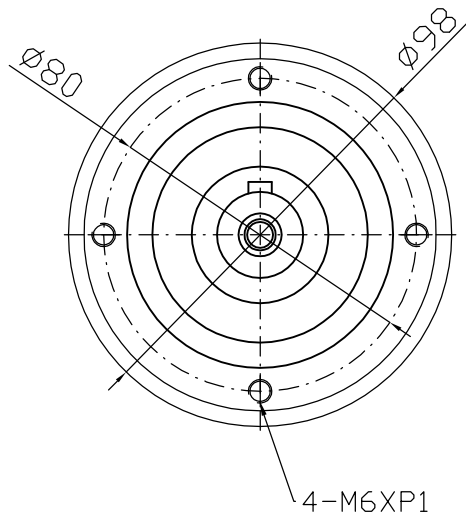


Output shaft





Output shaft



192.5