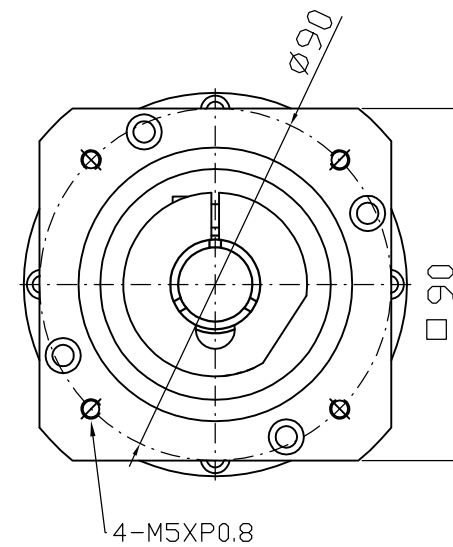
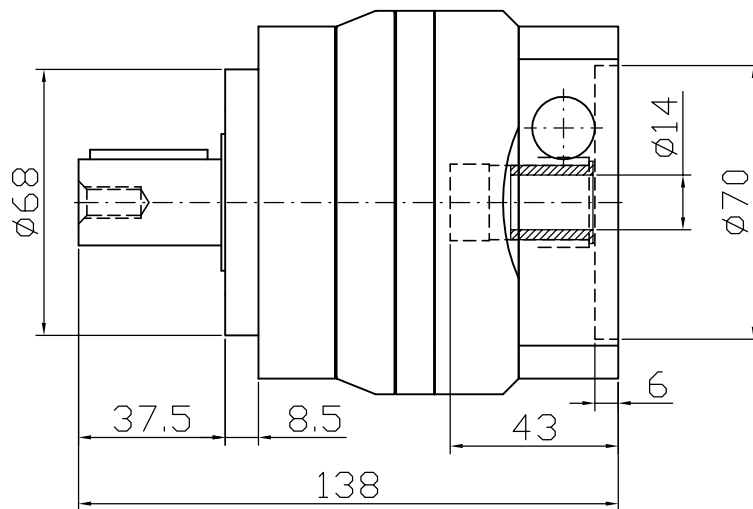
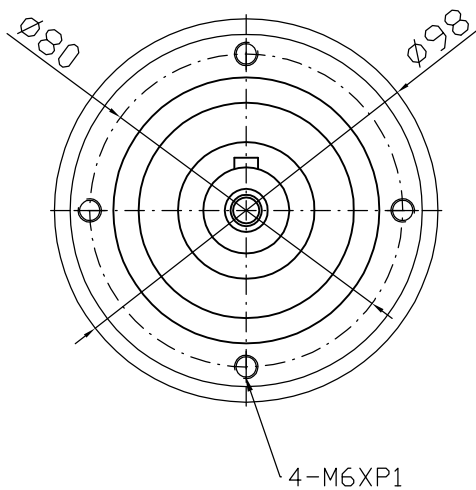
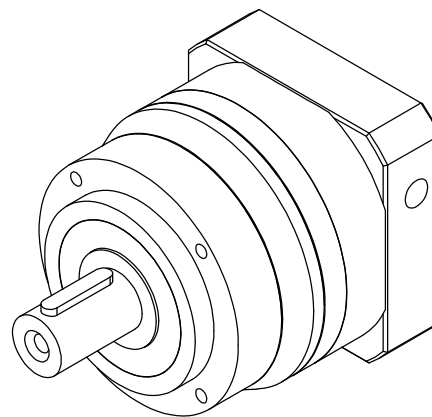
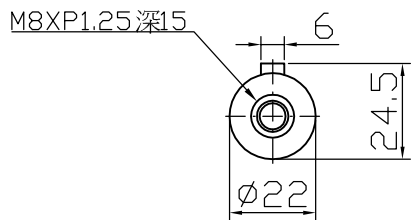


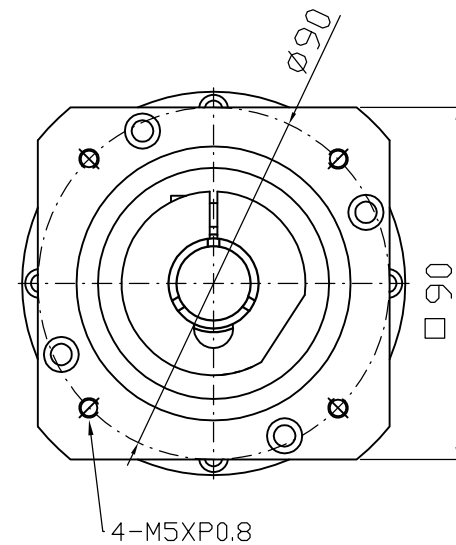
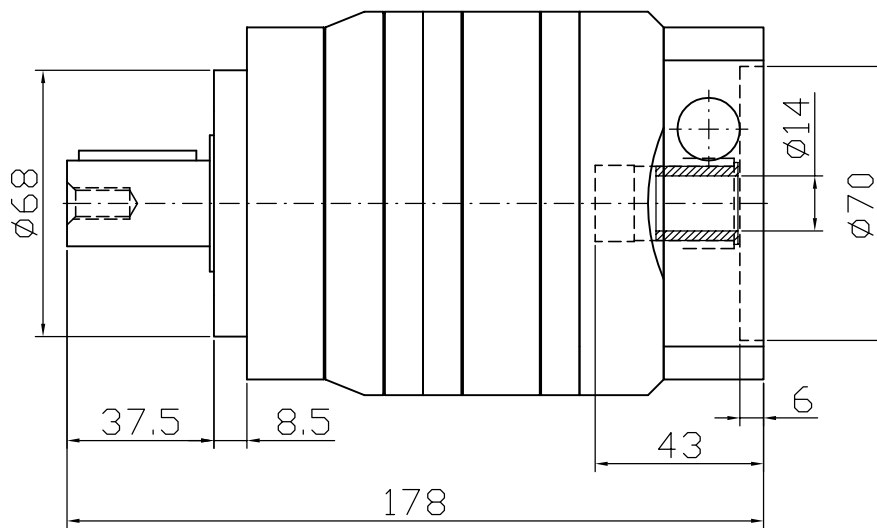
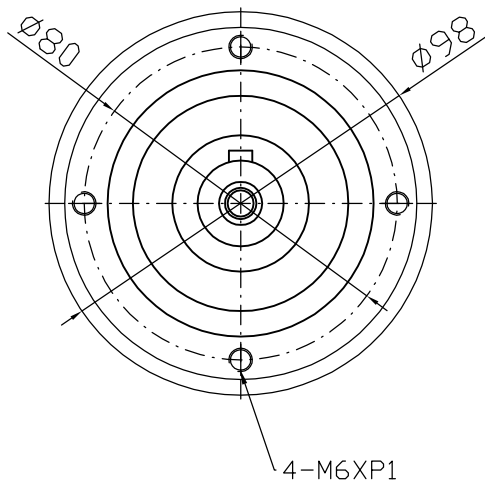
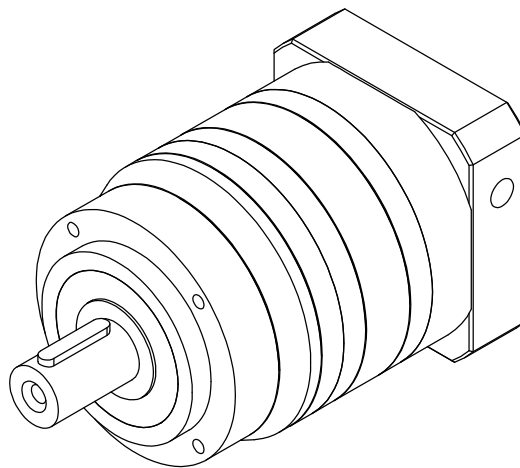
Output shaft



Unit: mm



Output shaft



Unit: mm