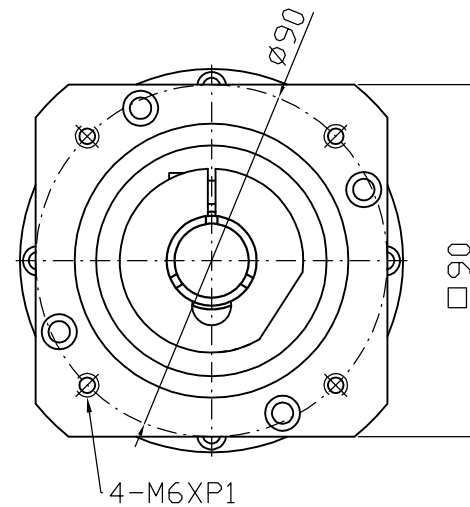
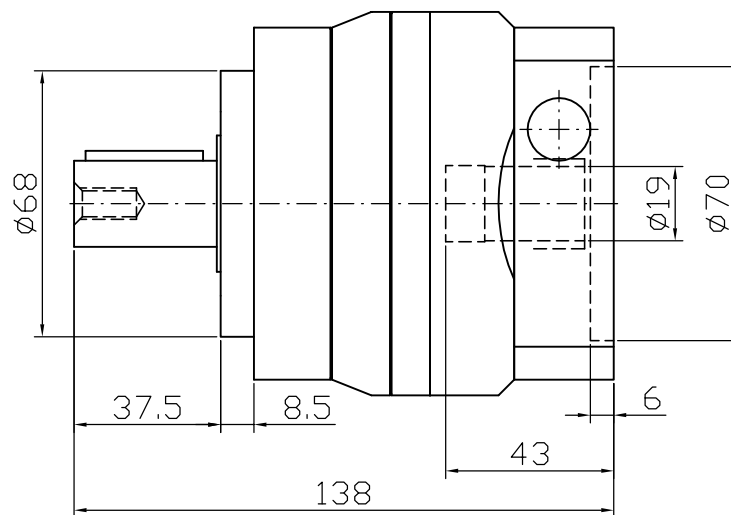
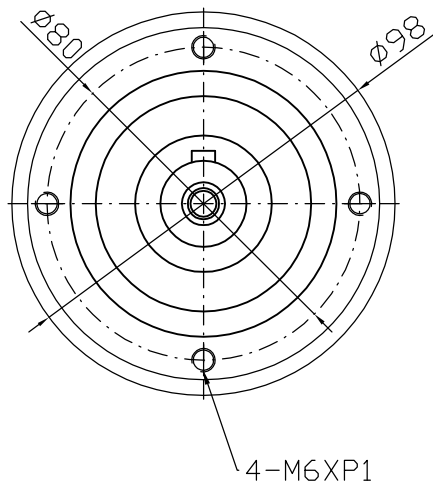
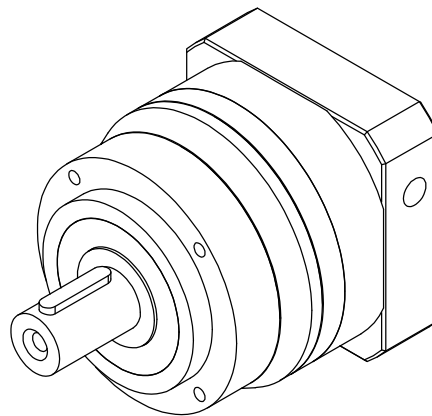
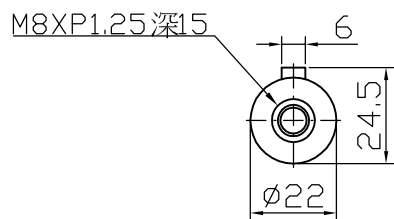


Output shaft



Unit: mm



Output shaft

