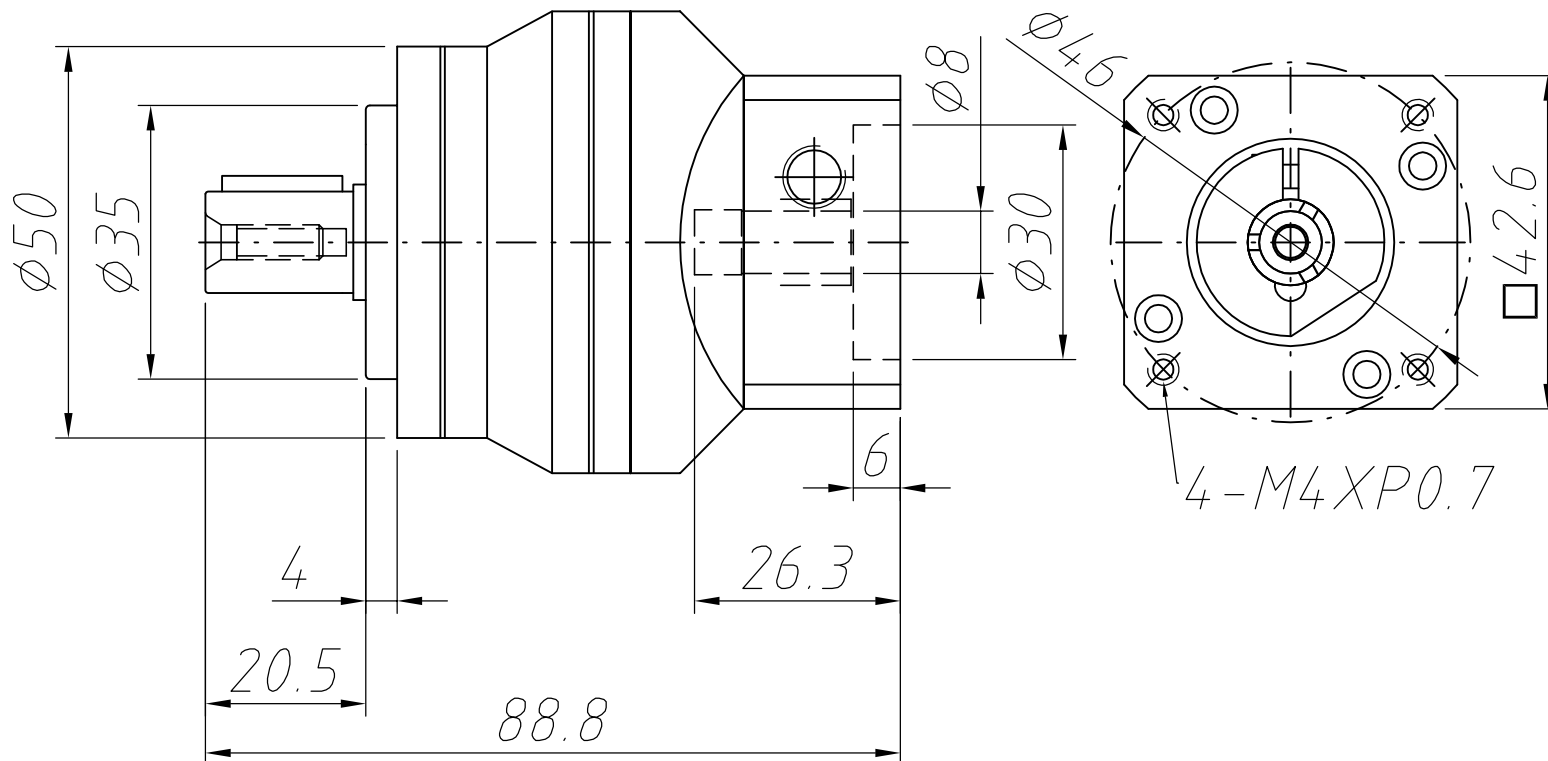
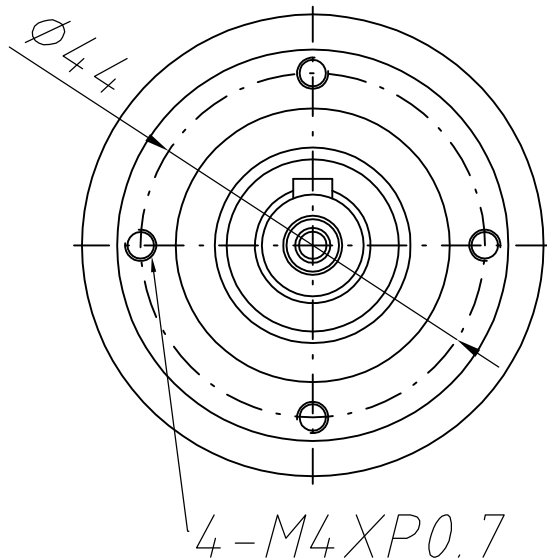
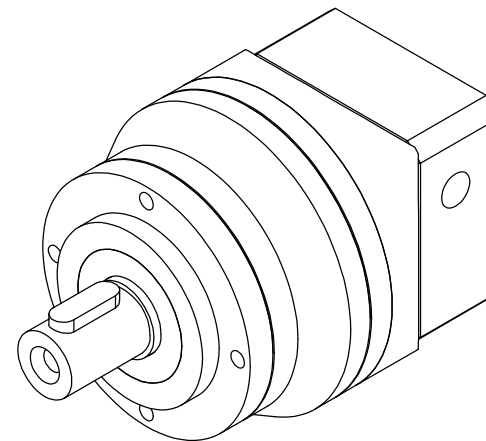
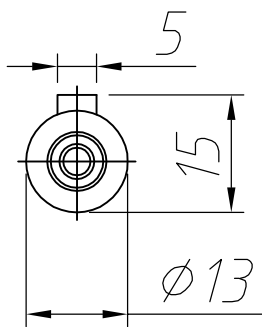
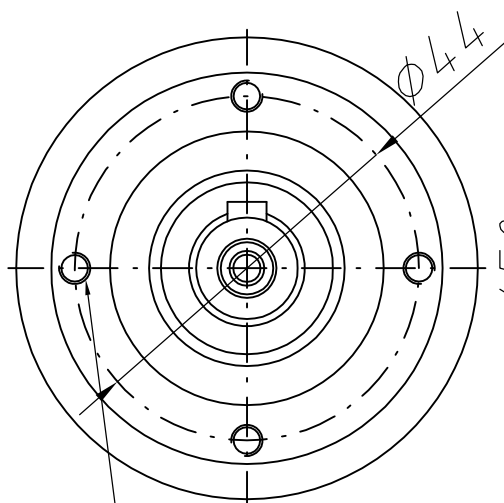
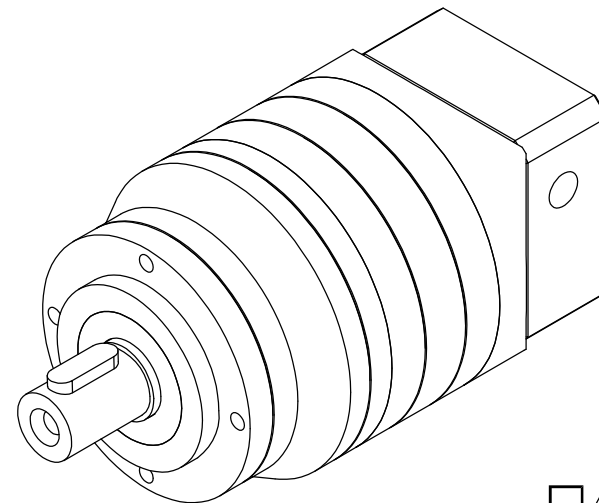


Output shaft

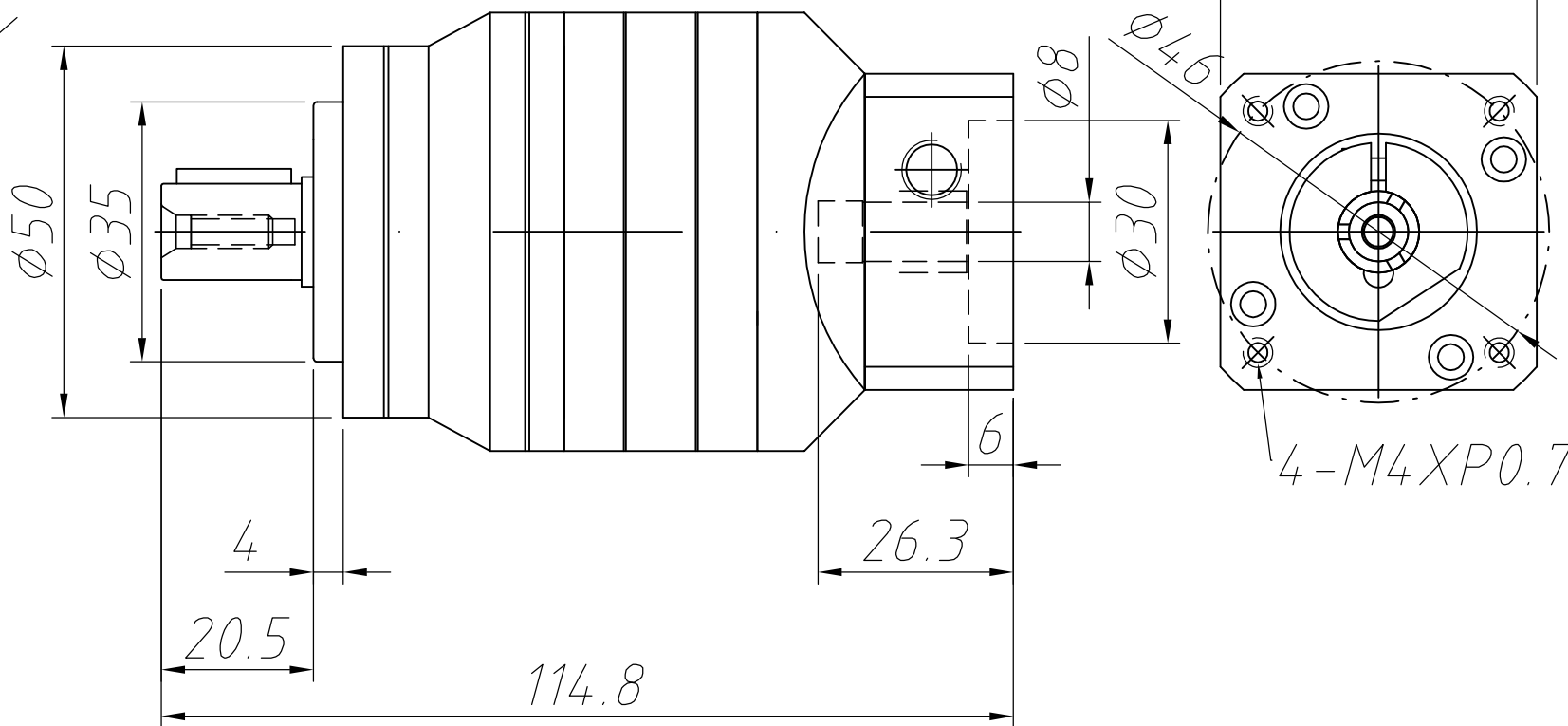




Output shaft



4-M4XP0.7



4-M4XP0.7